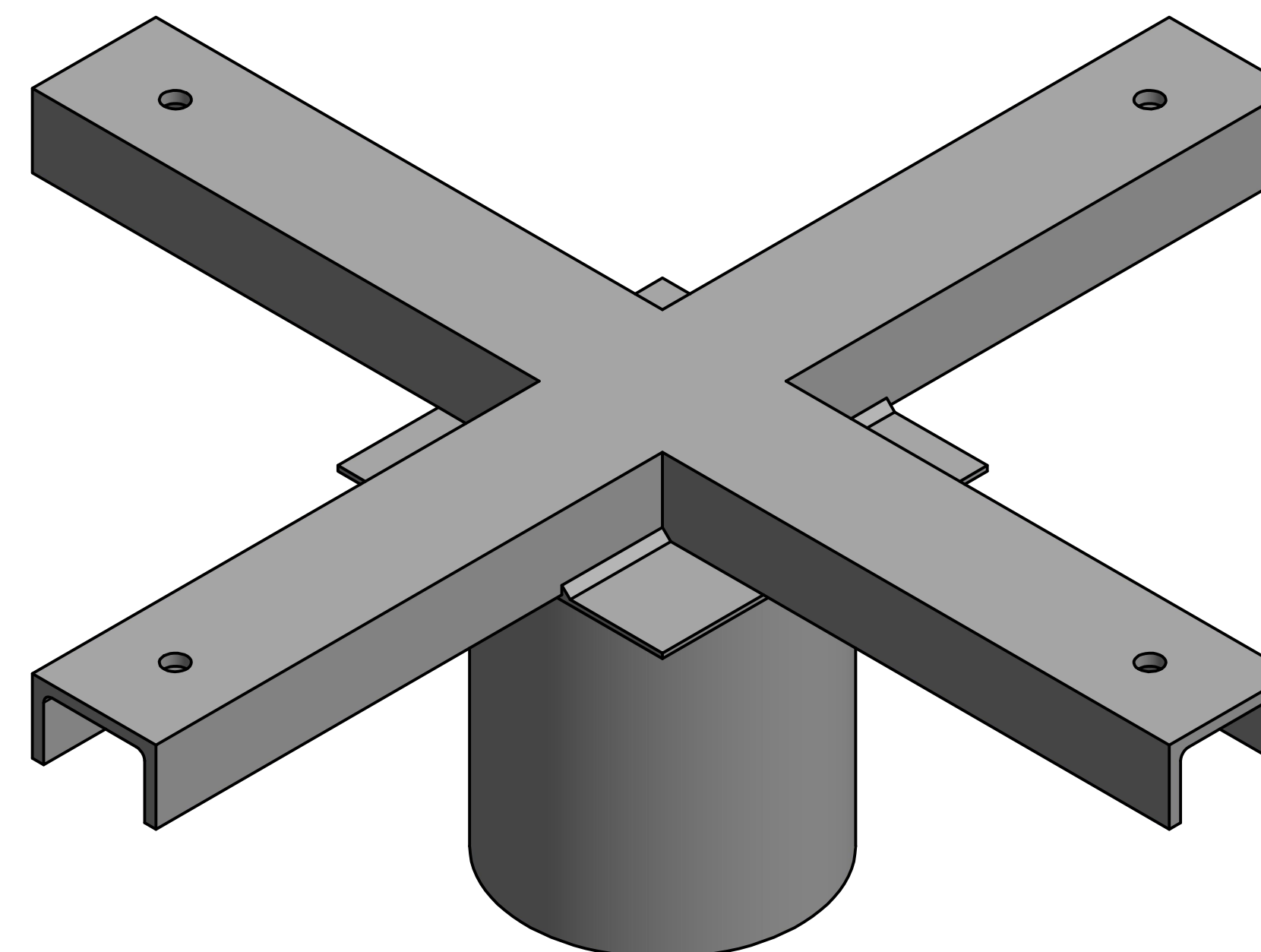


4 HOLES DRILLED AND TAPPED M10

TO SUIT COLUMNS WITH 168 SHAFT AND INTEGRAL REDUCER OR 140MM POST TOP SPIGOTS



GENERAL NOTES:
ALL DIMENSIONS IN MILIMETERS
ALL BURRS AND SHARP EDGES TO BE REMOVED

BEI LIGHTING
WYNDHAM CLOSE
BRACKLA INDUSTRIAL ESTATE
BRIDGEND CF31 2AN
TEL: 01656 645414
FAX: 01656 669231
EMAIL: sales@beilighting.com
WEB: www.beilighting.com



DRAWN Neil Carter	20/06/2016	TITLE 4-WAY N,S,E,W GALVANISED FLOODLIGHT BRACKET TO SUIT 168MM COLUMN SHAFTS WITH INTEGRAL REDUCER OR 140MM POST TOP COLUMNS	
CHECKED		SIZE D	DWG NO X4-168-NSEW
QA		SCALE 0.4	REV
MFG		SHEET 1 OF 1	
APPROVED			