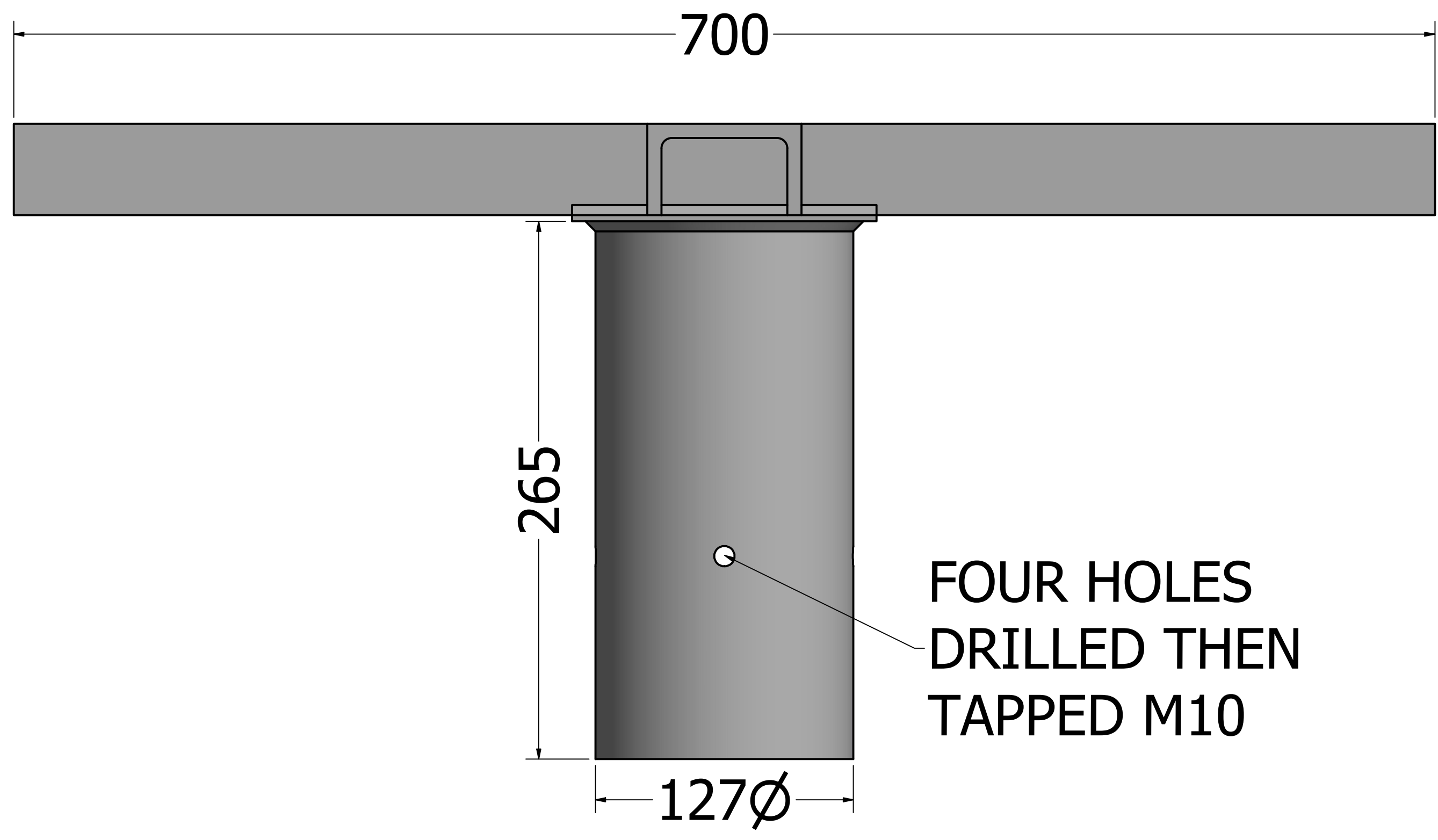
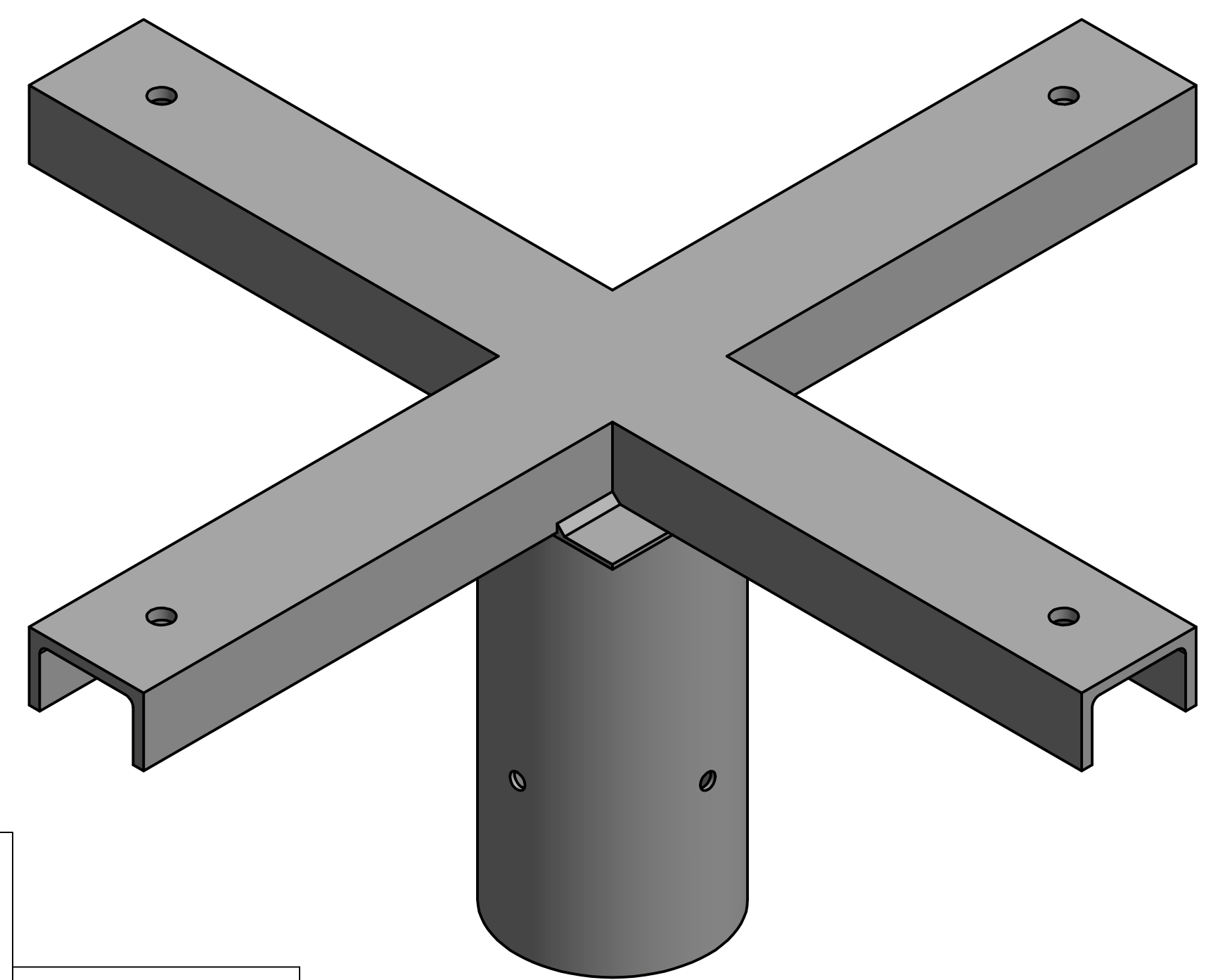
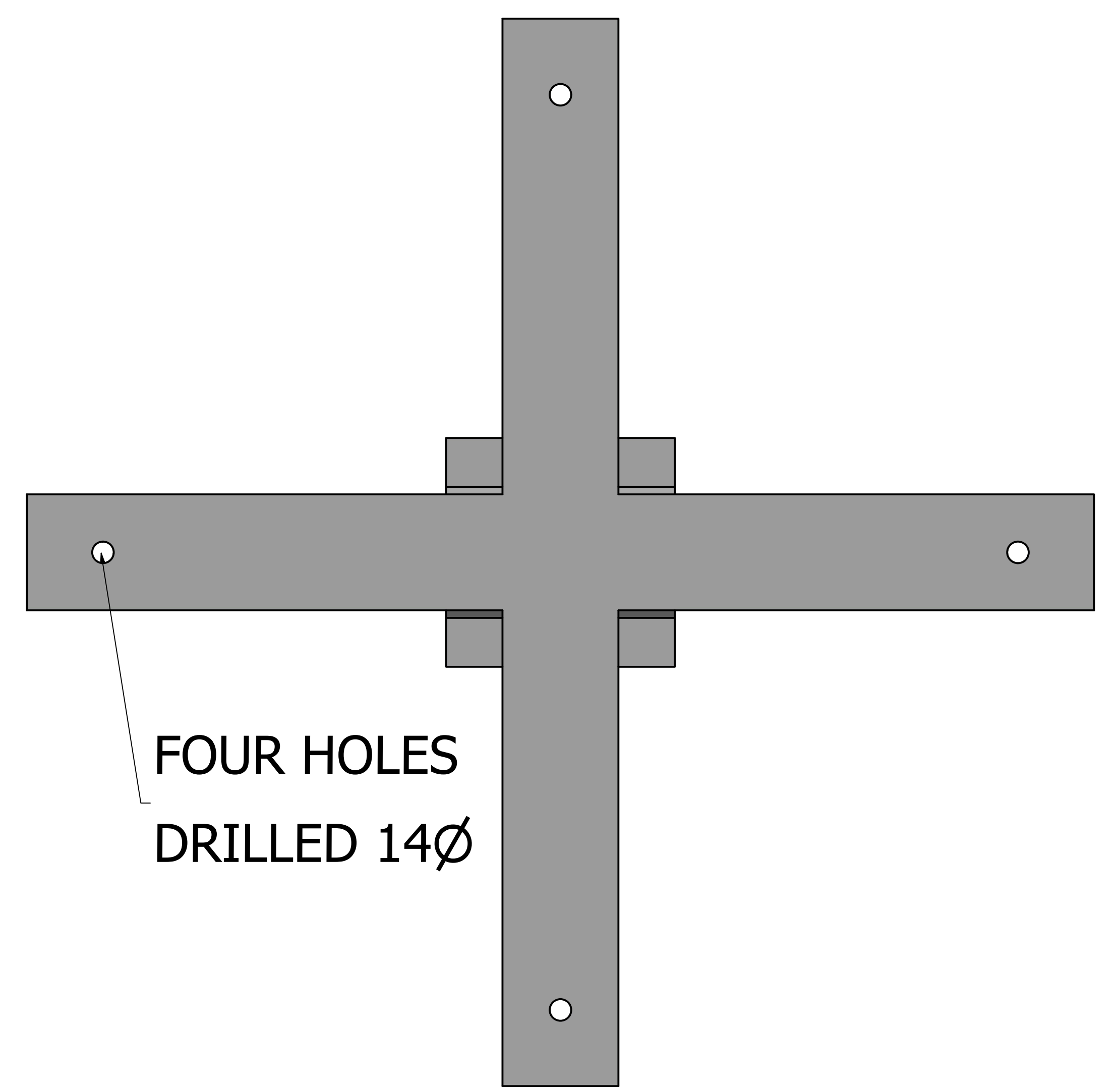


8 7 6 5 4 3 2 1



FOUR HOLES  
DRILLED THEN  
TAPPED M10



ACCEPTED BY \_\_\_\_\_

DATE ACCEPTED \_\_\_\_\_

GENERAL NOTES:  
ALL DIMENSIONS IN MILLIMETERS  
ALL BURRS AND SHARP EDGES TO BE  
REMOVED

**Copyright**  
The user may not copy, reproduce, republish, post,  
broadcast, transmit, make available to the public  
or otherwise use any BEI Lighting or UK Electric Ltd  
content contained in this document in any way without  
our written permission.

BEI LIGHTING  
WYNDHAM CLOSE  
BRACKLA INDUSTRIAL ESTATE  
BRIDGEND CF31 2AN  
TEL: 01656 645414  
FAX: 01656 669231  
EMAIL: sales@beilighting.com  
WEB: www.beilighting.com

**BEI | lighting**  
lighting from the ground up

DRAWN Neil Carter	06/10/2020
CHECKED	
QA	
MFG	
APPROVED	

ANY BESPOKE BRACKETS ARE MADE TO ORDER AND AS SUCH ARE NON RETURNABLE	
TITLE 4-WAY N,S,E,W GALVANISED FLOODLIGHT BRACKET TO SUIT 114MM POST TOP COLUMNS OR SPIGOTS	
DWG NO X4-127-NSEW	
SCALE	0.5
SHEET 1 OF 1	

8 7 6 5 4 3 2 1