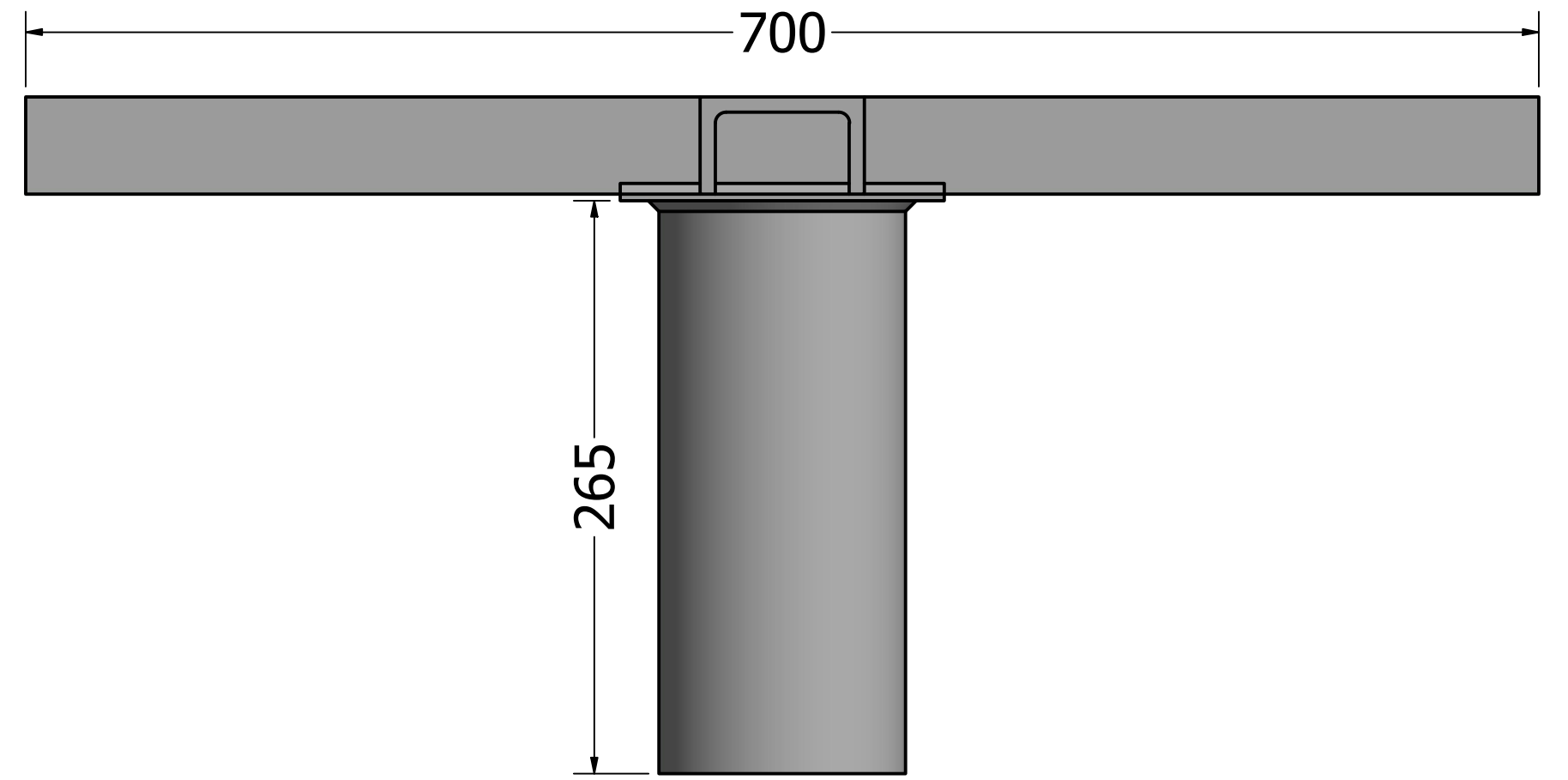
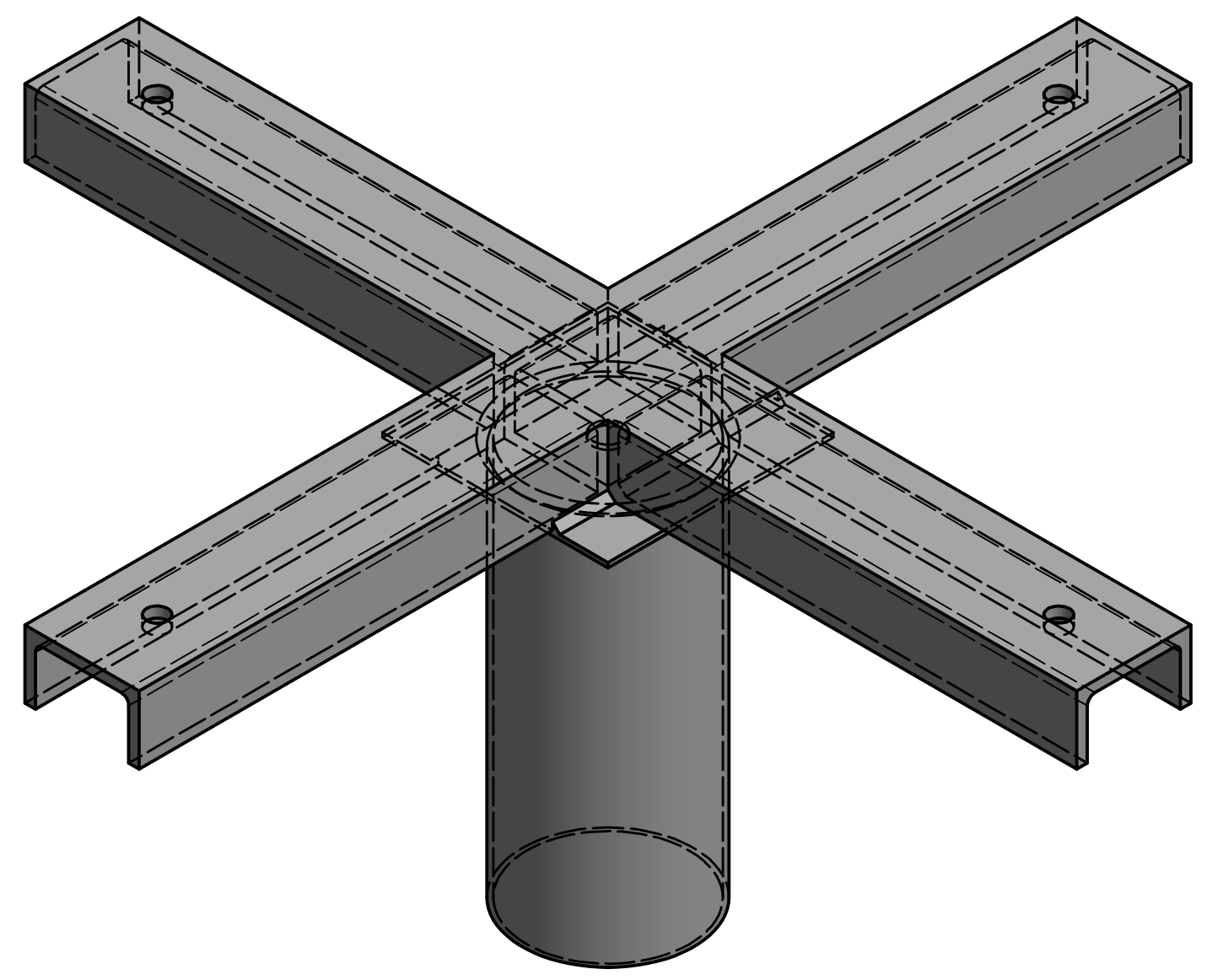


FOUR HOLES
DRILLED 14Ø



TO SUIT 114 COLUMN SHAFTS WITH INTEGRAL REDUCER OR 101MM POST TOP SPIGOTS



GENERAL NOTES:
ALL DIMENSIONS IN MILIMETERS
ALL BURRS AND SHARP EDGES TO BE REMOVED

BEI LIGHTING
WYNDHAM CLOSE
BRACKLA INDUSTRIAL ESTATE
BRIDGEND CF31 2AN
TEL: 01656 645414
FAX: 01656 669231
EMAIL: sales@beilighting.com
WEB: www.beilighting.com



DRAWN Neil Carter	17/06/2016	TITLE 4-WAY N,S,E,W GALVANISED FLOODLIGHT BRACKET TO SUIT 114MM COLUMN SHAFTS WITH INTEGRAL 101MM REDUCER OR 101MM POST TOP COLUMNS
CHECKED		
QA		
MFG		
APPROVED		SIZE D
		DWG NO X4-114-NSEW
		REV
SCALE 0.4		SHEET 1 OF 1