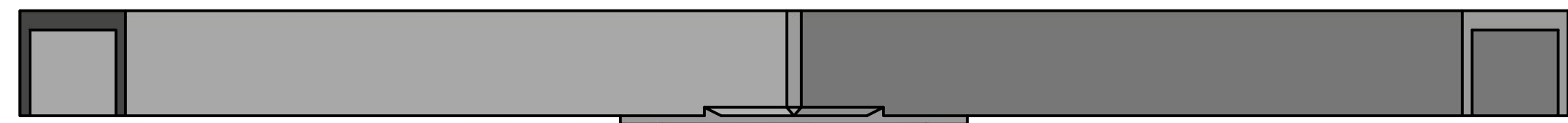


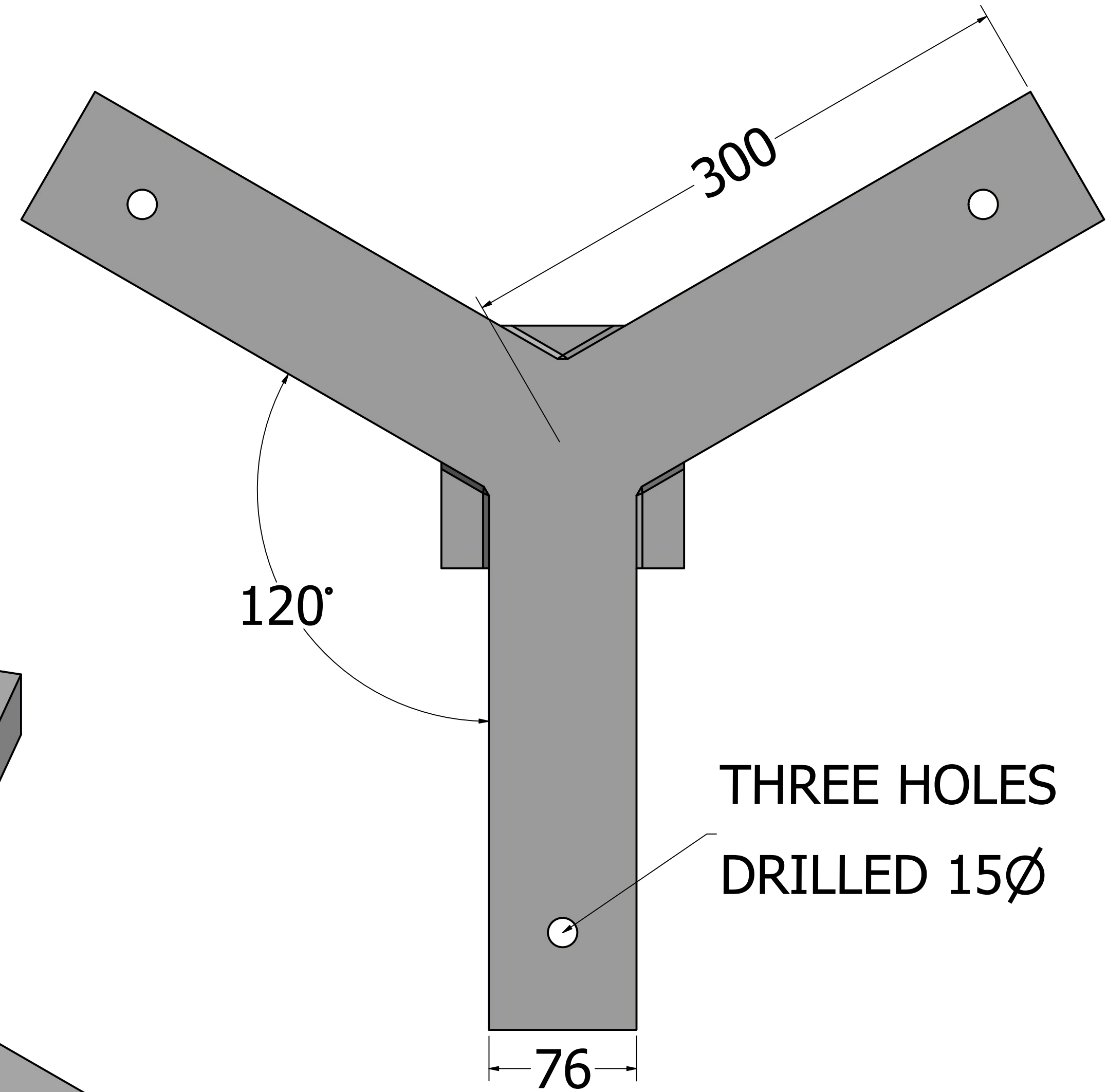
8 7 6 5 4 3 2 1



265

89Ø

EIGHT HOLES
DRILLED THEN
TAPPED M10

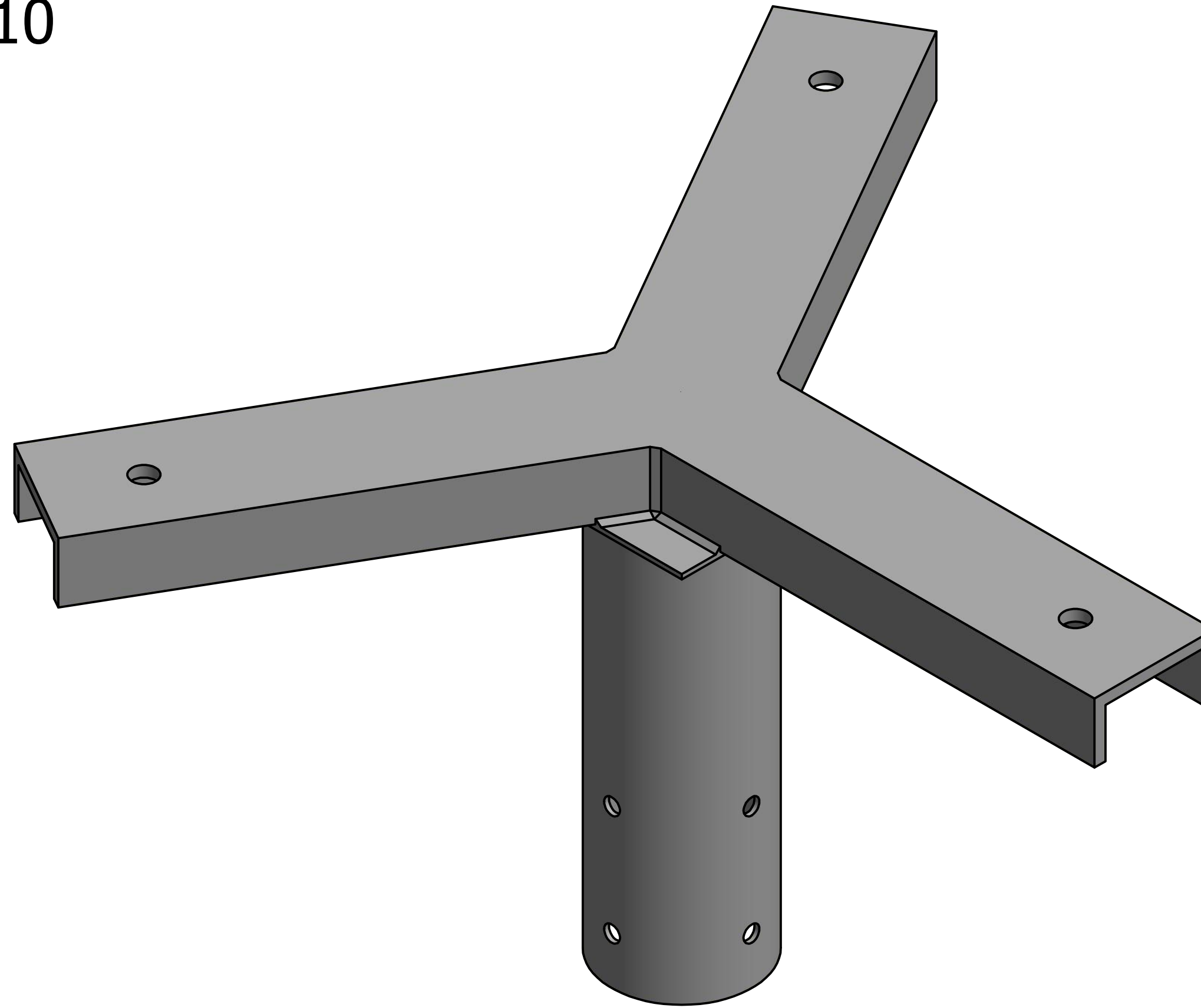


120°

300

THREE HOLES
DRILLED 15Ø

76



ACCEPTED BY _____

DATE ACCEPTED _____

GENERAL NOTES:
ALL DIMENSIONS IN MILLIMETERS
ALL BURRS AND SHARP EDGES TO BE
REMOVED

Copyright
The user may not copy, reproduce, republish, post,
broadcast, transmit, make available to the public
or otherwise use any BEI Lighting or UK Electric Ltd
content contained in this document in any way without
our written permission.

BEI LIGHTING
WYNDHAM CLOSE
BRACKLA INDUSTRIAL ESTATE
BRIDGEND CF31 2AN
TEL: 01656 645414
FAX: 01656 669231
EMAIL: sales@beilighting.com
WEB: www.beilighting.com

BEI | lighting
lighting from the ground up



DRAWN Neil Carter	07/03/2019
CHECKED	
QA	
MFG	
APPROVED	

ANY BESPOKE BRACKETS ARE MADE TO ORDER AND AS SUCH ARE NON RETURNABLE	
TITLE 3-WAY 120DEG 'Y' CONFIGURATION FLOODLIGHT BRACKET TO SUIT 76MM POST TOP COLUMNS OR SPIGOTS GALVANISED FINISH	
DWG NO X3-Y-89	
SCALE	0.5
SHEET 1 OF 1	

8 7 6 5 4 3 2 1