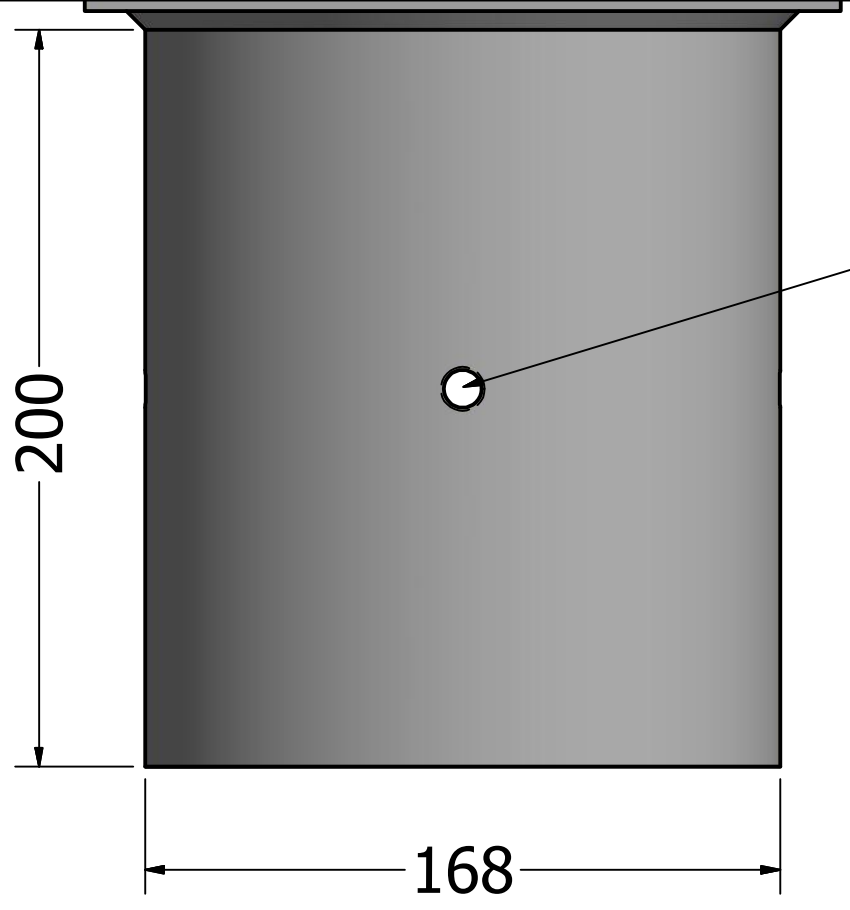
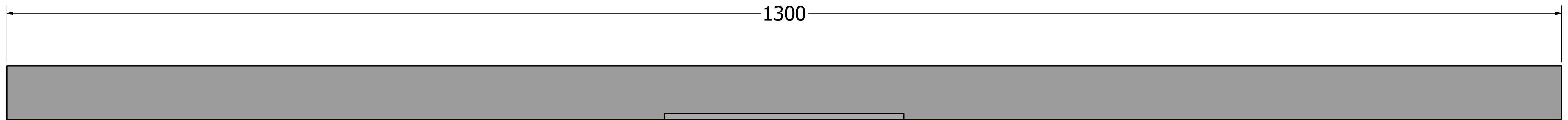
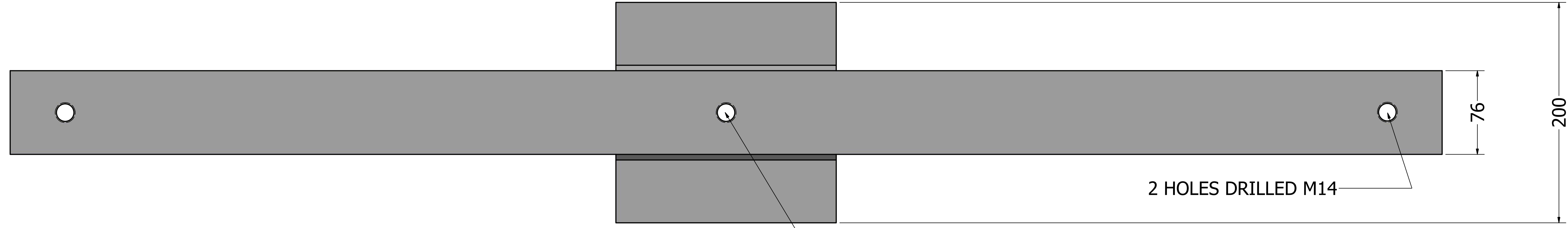


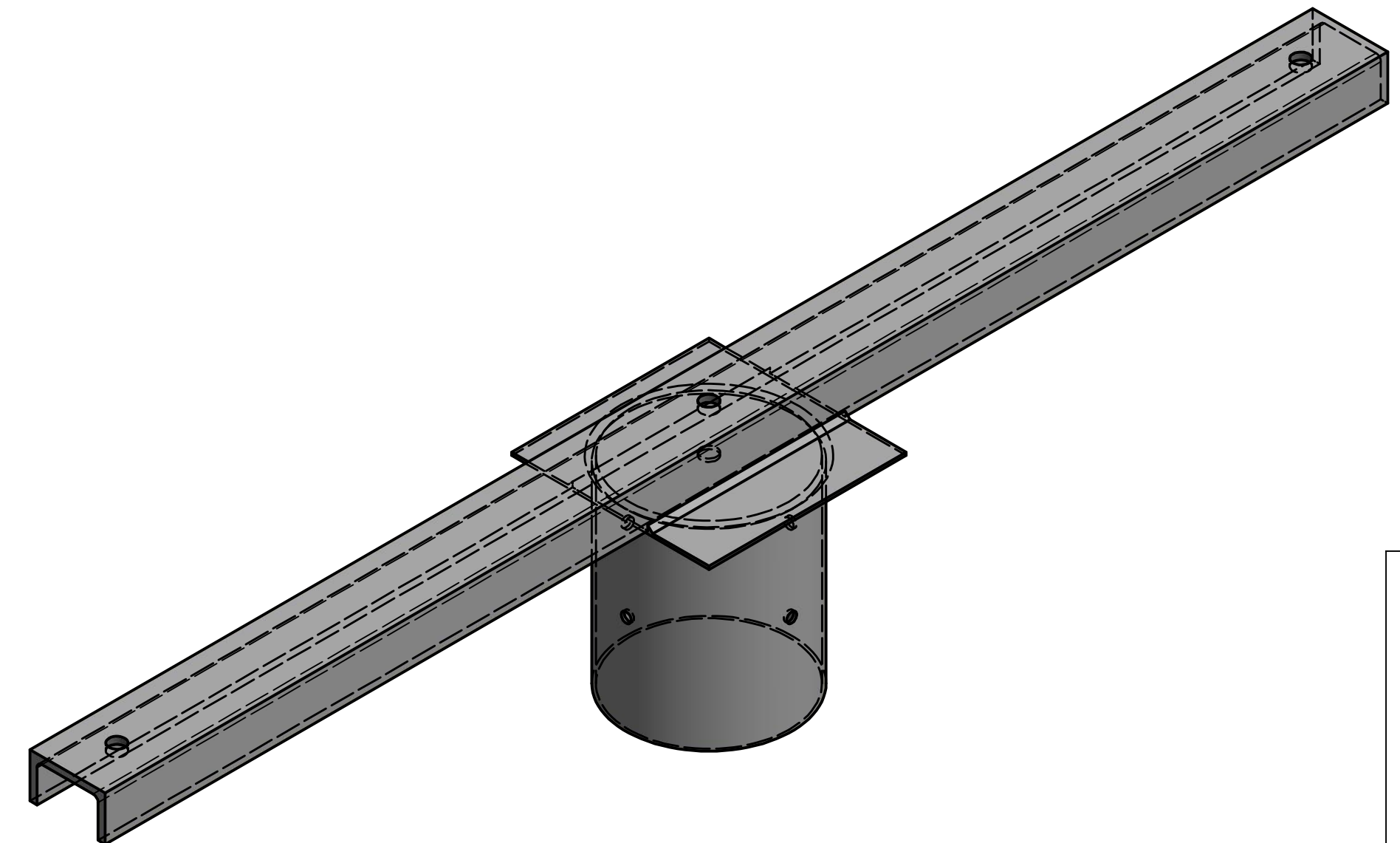
8 7 6 5 4 3 2 1



4 HOLES DRILLED AND TAPPED M10



1 HOLE DRILLED AND TAPPED M12



GENERAL NOTES:  
ALL DIMENSIONS IN MILLIMETERS  
ALL BURRS AND SHARP EDGES TO BE REMOVED

BEI LIGHTING  
WYNDHAM CLOSE  
BRACKLA INDUSTRIAL ESTATE  
BRIDGEND CF31 2AN  
TEL: 01656 645414  
FAX: 01656 669231  
EMAIL: sales@beilighting.com  
WEB: www.beilighting.com

**BEI | lighting**  
lighting from the ground up

DRAWN	Neil Carter	17/06/2016
CHECKED		
QA		
MFG		
APPROVED		
SCALE	1 / 2	

TITLE		
THREE WAY GALVANISED FLOODLIGHT BRACKET TO SUIT 168MM COLUMN SHAFTS WITH INTEGRAL REDUCER OR 140MM POST TOP SPIGOTS		
SIZE	D	
DWG NO	X3-168	REV
SCALE		1 / 2
SHEET		1 OF 1

8 7 6 5 4 3 2 1