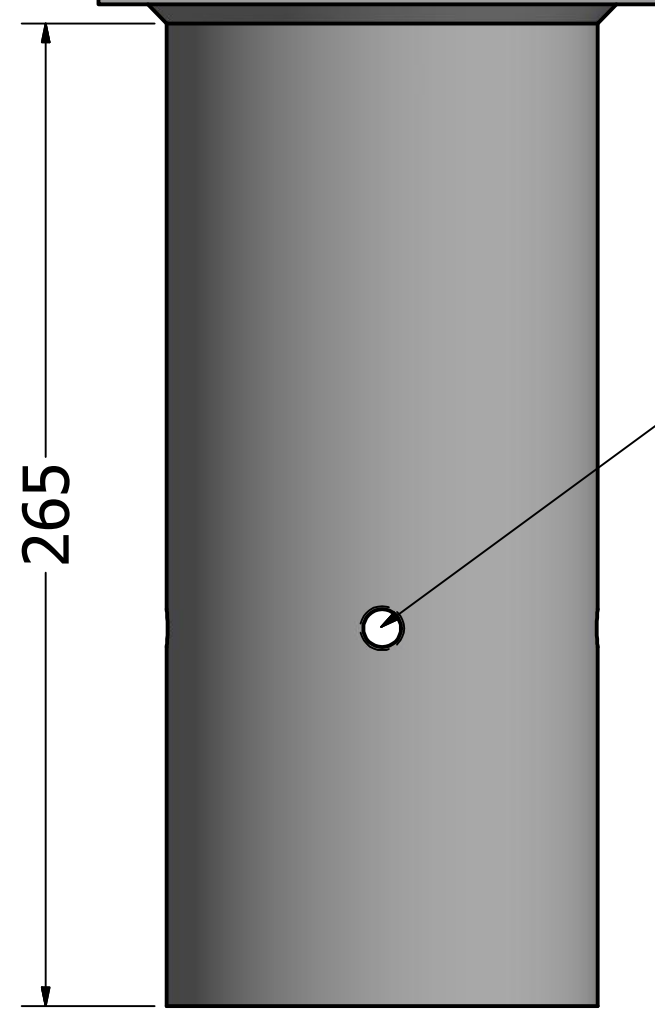
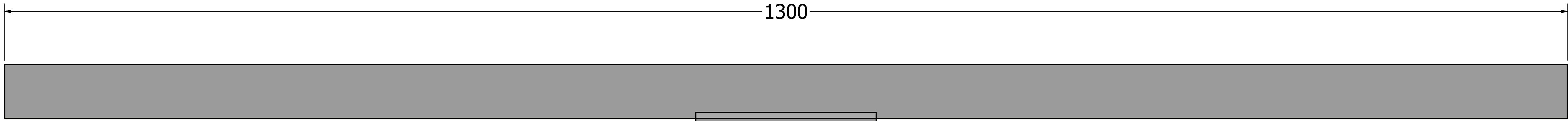
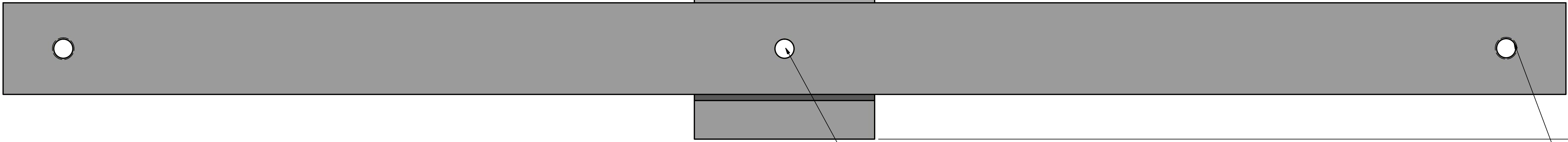
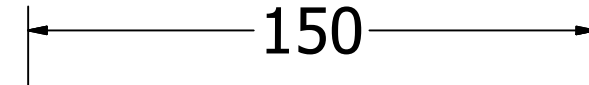


8 7 6 5 4 3 2 1



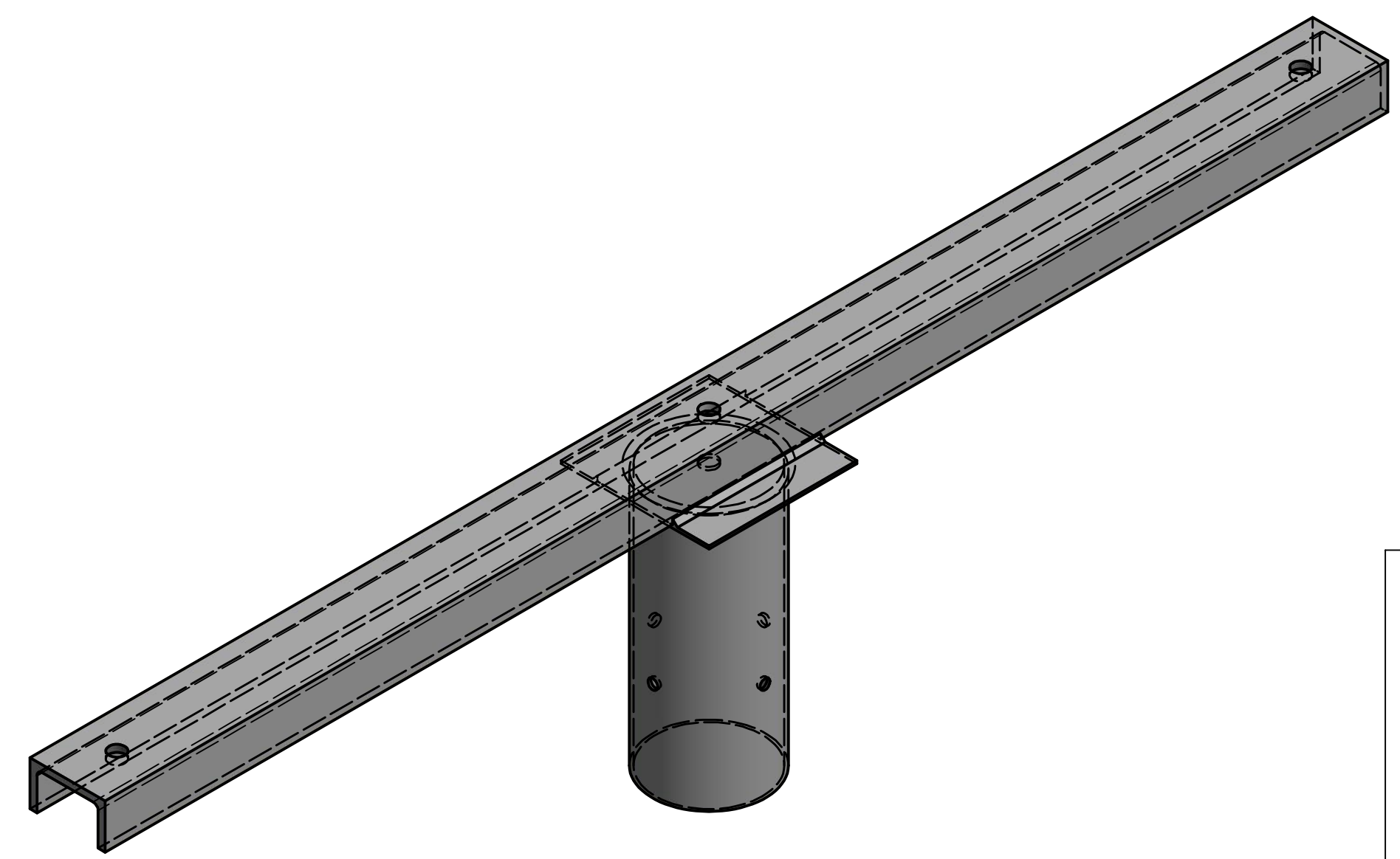
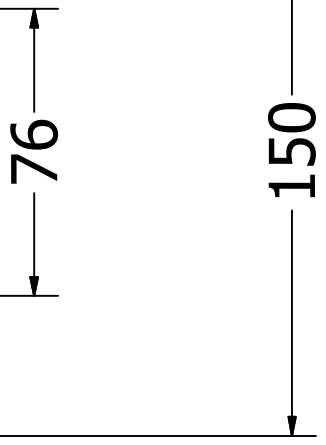
4 HOLES DRILLED AND TAPPED M10

TO SUIT 114 COLUMN SHAFT WITH INTEGRAL REDUCER OR 101MM POST TOP SPIGOTS



1 HOLE DRILLED AND TAPPED M12

2 HOLES DRILLED M14



GENERAL NOTES:
ALL DIMENSIONS IN MILIMETERS
ALL BURRS AND SHARP EDGES TO BE REMOVED

BEI LIGHTING
WYNDHAM CLOSE
BRACKLA INDUSTRIAL ESTATE
BRIDGEND CF31 2AN
TEL: 01656 645414
FAX: 01656 669231
EMAIL: sales@beilighting.com
WEB: www.beilighting.com

BEI | lighting
lighting from the ground up

DRAWN	Neil Carter	17/06/2016
CHECKED		
QA		
MFG		
APPROVED		
SCALE	1 / 2	

TITLE THREE WAY GALVANISED FLOODLIGHT BRACKET TO SUIT 114MM COLUMN SHAFTS WITH INTEGRAL REDUCER OR 101MM POST TOP SPIGOTS		
SIZE	DWG NO	REV
D	X3-114	
SCALE 1 / 2		SHEET 1 OF 1

8 7 6 5 4 3 2 1