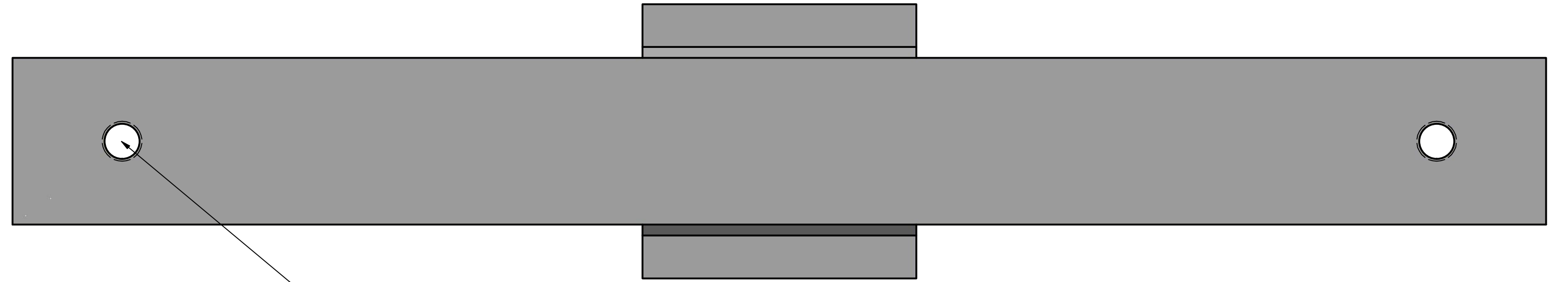
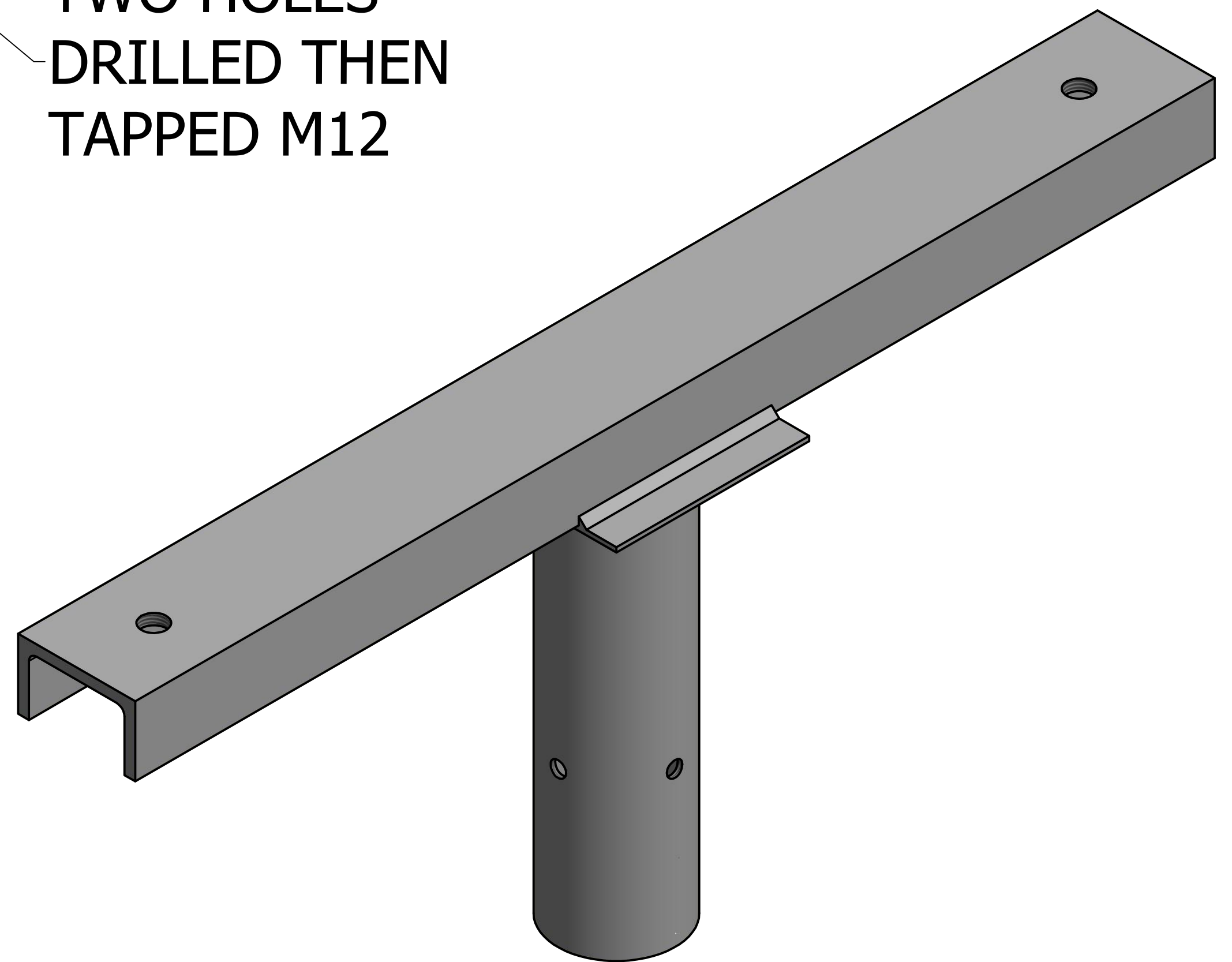


FOUR HOLES
DRILLED THEN
TAPPED M10



TWO HOLES
DRILLED THEN
TAPPED M12



ACCEPTED BY _____

DATE ACCEPTED _____

GENERAL NOTES:
ALL DIMENSIONS IN MILIMETERS
ALL BURRS AND SHARP EDGES TO BE
REMOVED

Copyright
The user may not copy, reproduce, republish, post,
broadcast, transmit, make available to the public
or otherwise use any BEI Lighting or UK Electric Ltd
content contained in this document in any way without
our written permission.

BEI LIGHTING
WYNDHAM CLOSE
BRACKLA INDUSTRIAL ESTATE
BRIDGEND CF31 2AN
TEL: 01656 645414
FAX: 01656 669231
EMAIL: sales@beilighting.com
WEB: www.beilighting.com

BEI | lighting
lighting from the ground up

DRAWN Neil Carter	02/10/2019
CHECKED	
QA	
MFG	
APPROVED	

ANY BESPOKE BRACKETS ARE MADE TO ORDER AND AS SUCH ARE NON RETURNABLE	
TITLE	
TWIN GALVANISED FLOODLIGHT BRACKET TO SUIT 60MM POST TOP COLUMNS OR SPIGOTS	
DWG NO	
X2-76	
SCALE	0.6
SHEET 1 OF 1	