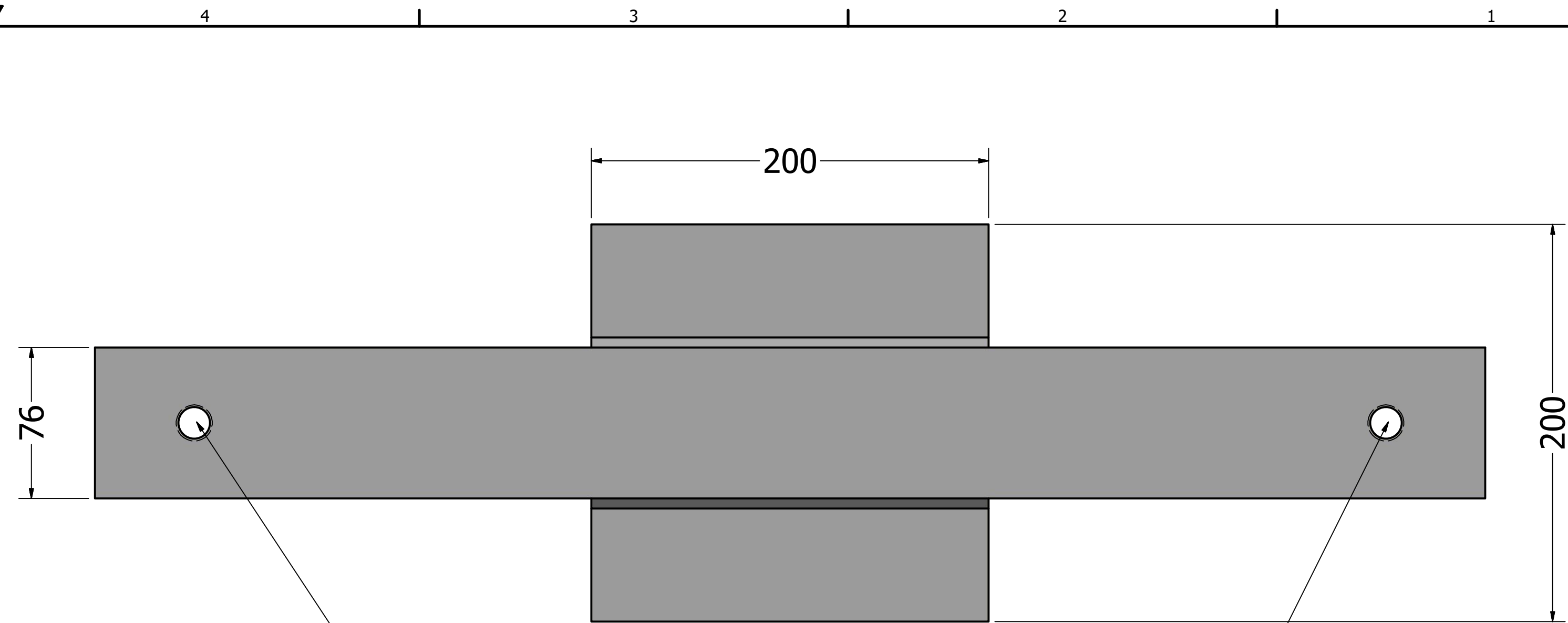
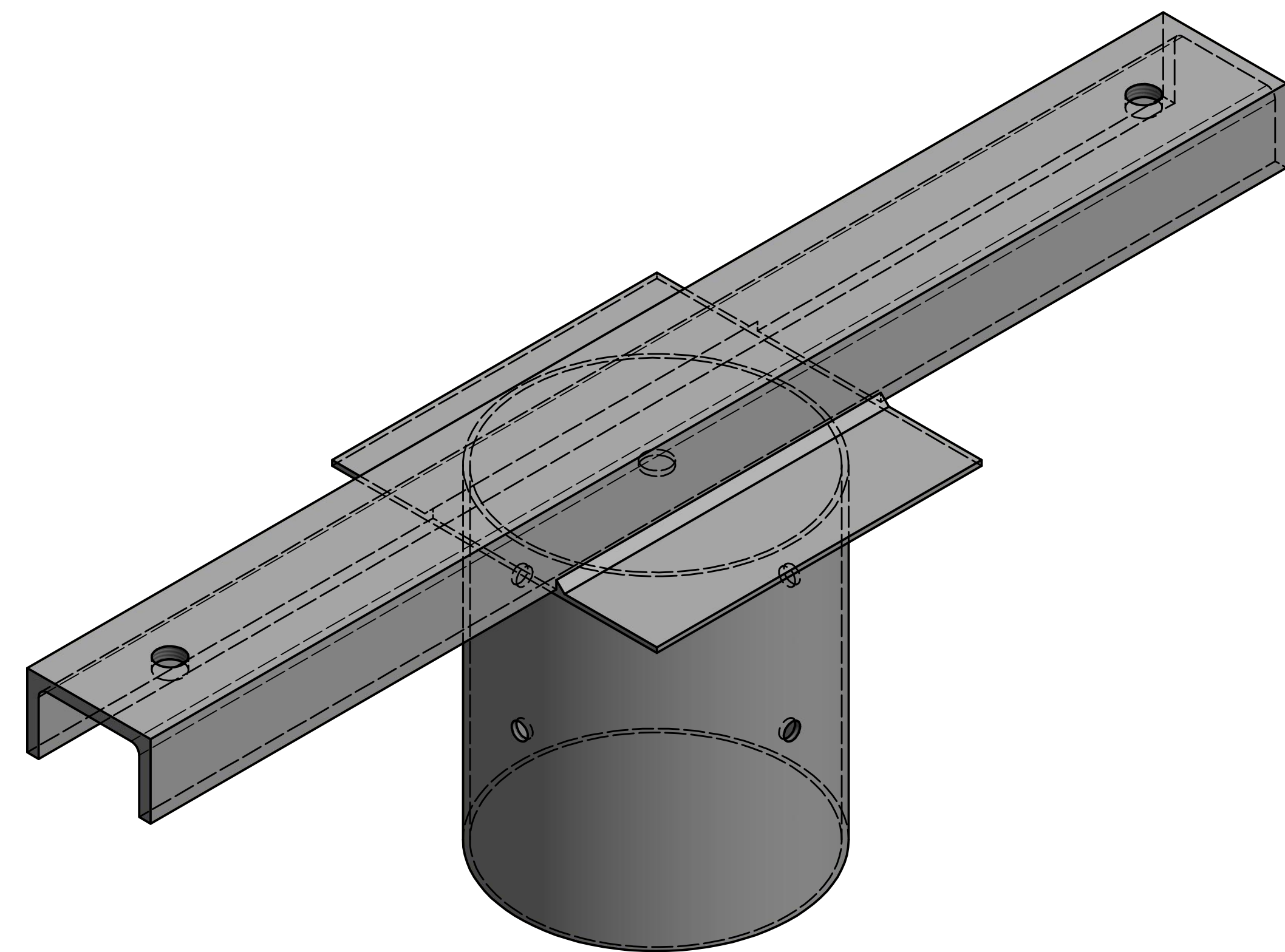


TO SUIT 168 COLUMN SHAFT WITH INTEGRAL REDUCER OR 140MM POST TOP SPIGOTS



TWO HOLES DRILLED M14



GENERAL NOTES:
ALL DIMENSIONS IN MILIMETERS
ALL BURRS AND SHARP EDGES TO BE REMOVED

BEI LIGHTING
WYNDHAM CLOSE
BRACKLA INDUSTRIAL ESTATE
BRIDGEND CF31 2AN
TEL: 01656 645414
FAX: 01656 669231
EMAIL: sales@beilighting.com
WEB: www.beilighting.com

BEI | lighting
lighting from the ground up

DRAWN Neil Carter	17/06/2016	TITLE TWIN GALVANISED FLOODLIGHT BRACKET TO SUIT 168MM COLUMN SHAFTS WITH INTEGRAL REDUCER OR 140MM POST TOP SPIGOTS	
CHECKED		SIZE D	DWG NO X2-168
QA		SCALE 1 / 2	REV
MFG		SHEET 1 OF 1	
APPROVED			