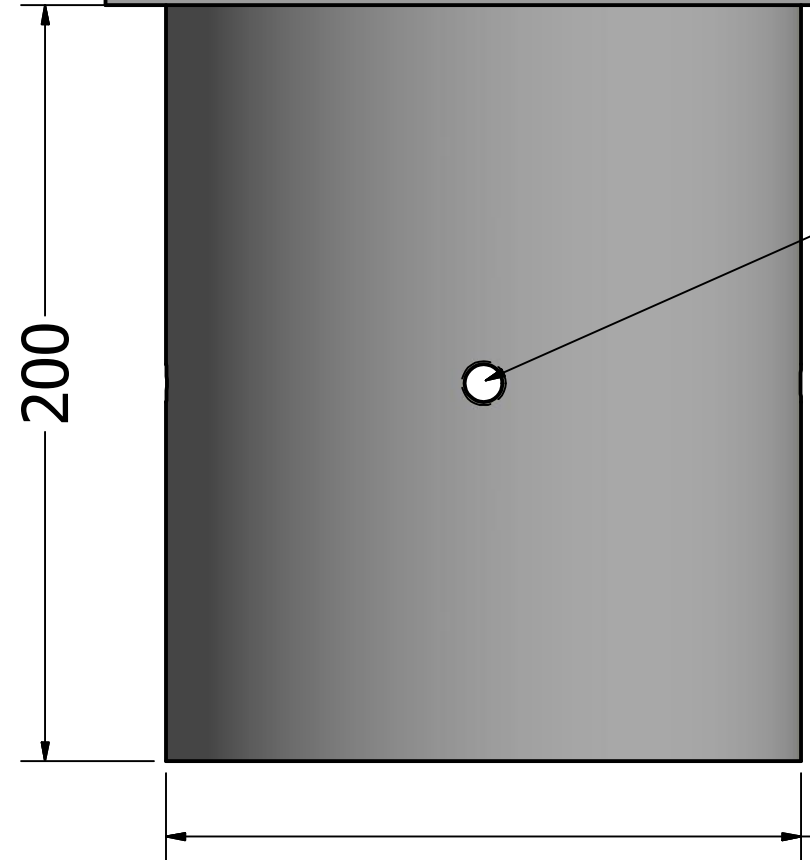
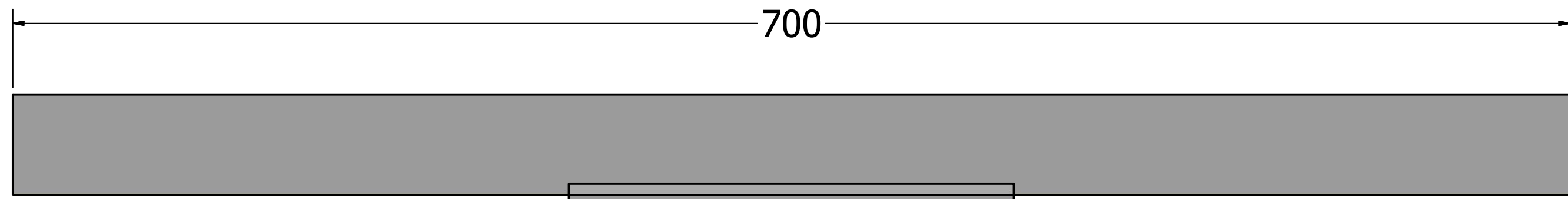
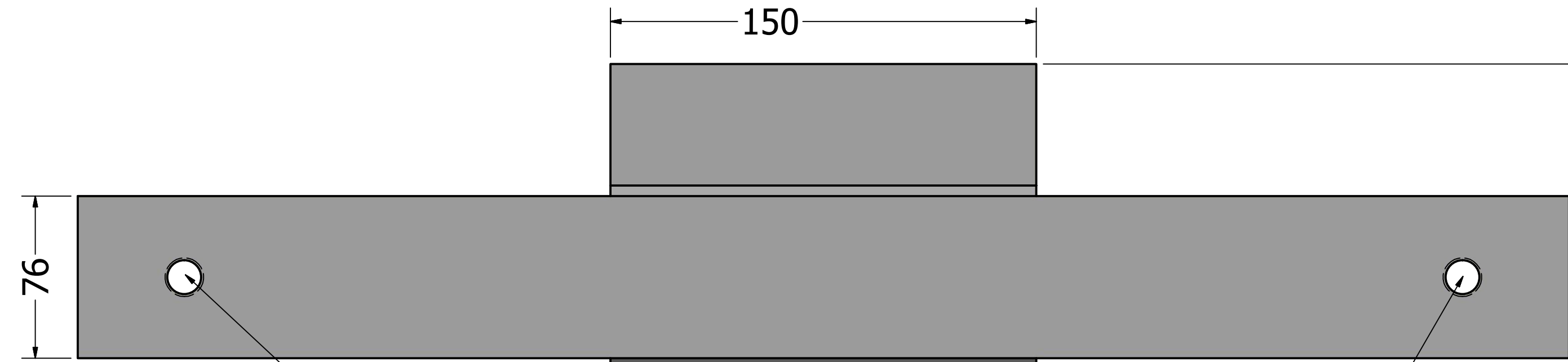


8 7 6 5 4 3 2 1

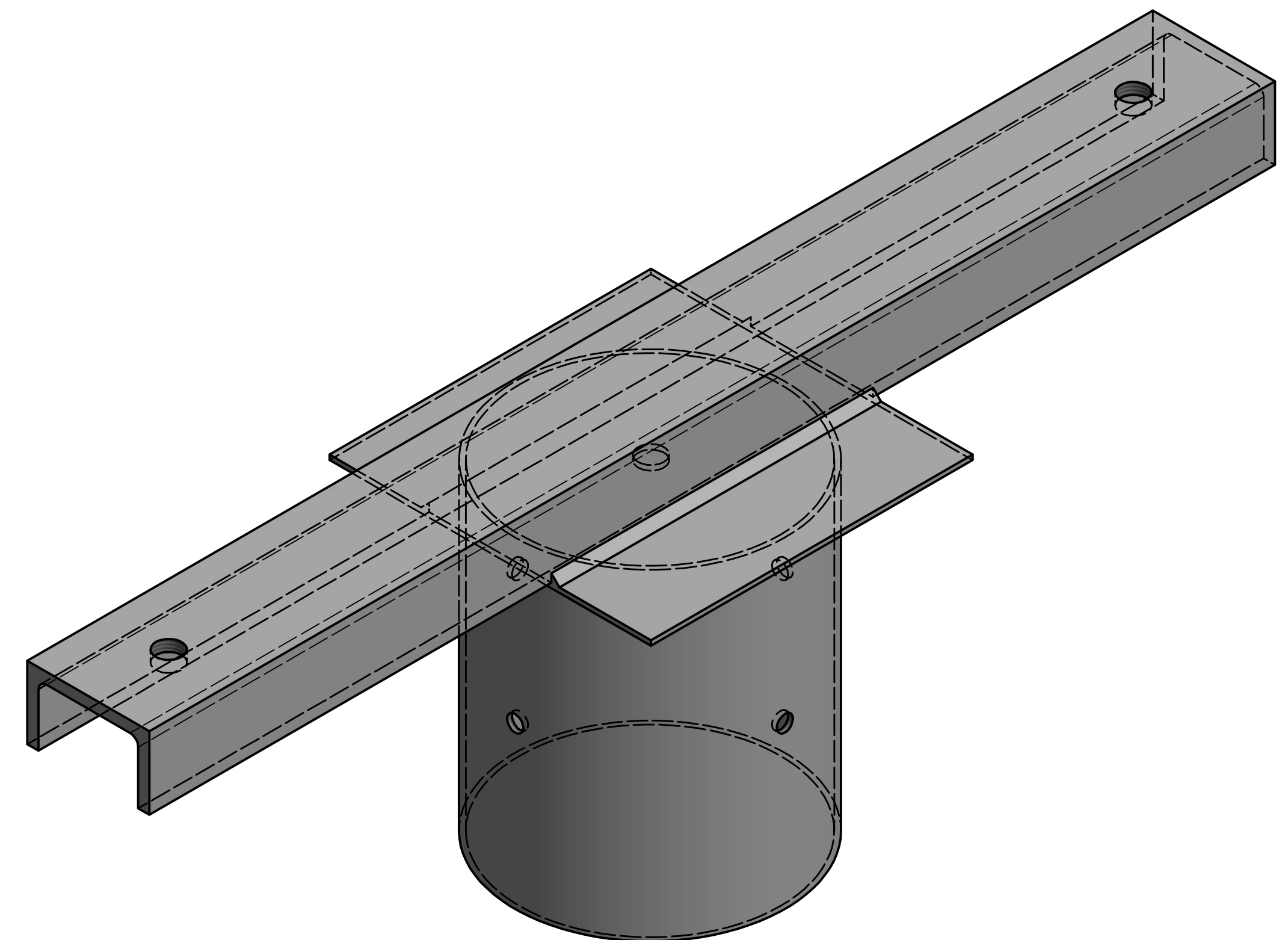


4 HOLES DRILLED AND TAPPED M10

TO SUIT 140 COLUMN SHAFT WITH INTERGRAL REDUCER OR 127 POST TOP SPIGOTS



TWO HOLES DRILLED M14



GENERAL NOTES:
ALL DIMENSIONS IN MILIMETERS
ALL BURRS AND SHARP EDGES TO BE REMOVED

BEI LIGHTING
WYNDHAM CLOSE
BRACKLA INDUSTRIAL ESTATE
BRIDGEND CF31 2AN
TEL: 01656 645414
FAX: 01656 669231
EMAIL: sales@beilighting.com
WEB: www.beilighting.com

BEI | lighting
lighting from the ground up

DRAWN Neil Carter	17/06/2016
CHECKED	
QA	
MFG	
APPROVED	
SCALE 1 / 2	

TITLE
TWIN GALVANISED FLOODLIGHT BRACKET TO SUIT 140MM COLUMNS SHAFT WITH INTEGRAL REDUCER OR 127MM POST TOP SPIGOTS

SIZE D	DWG NO X2-140	REV
SCALE 1 / 2		SHEET 1 OF 1

8 7 6 5 4 3 2 1