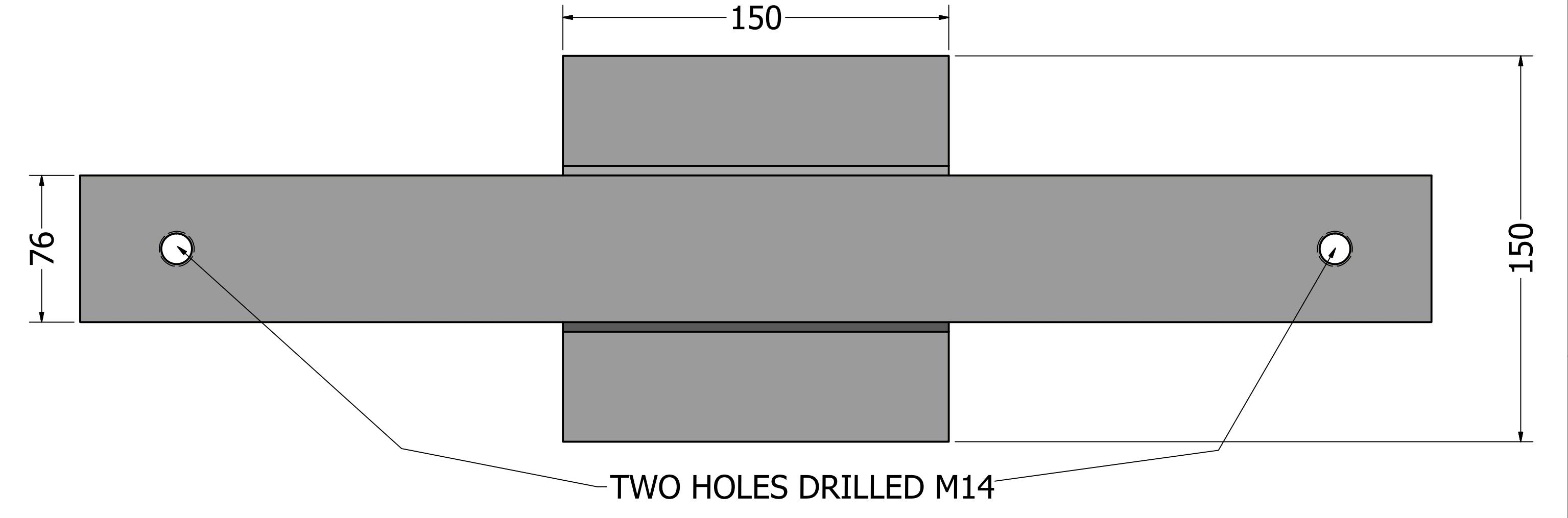
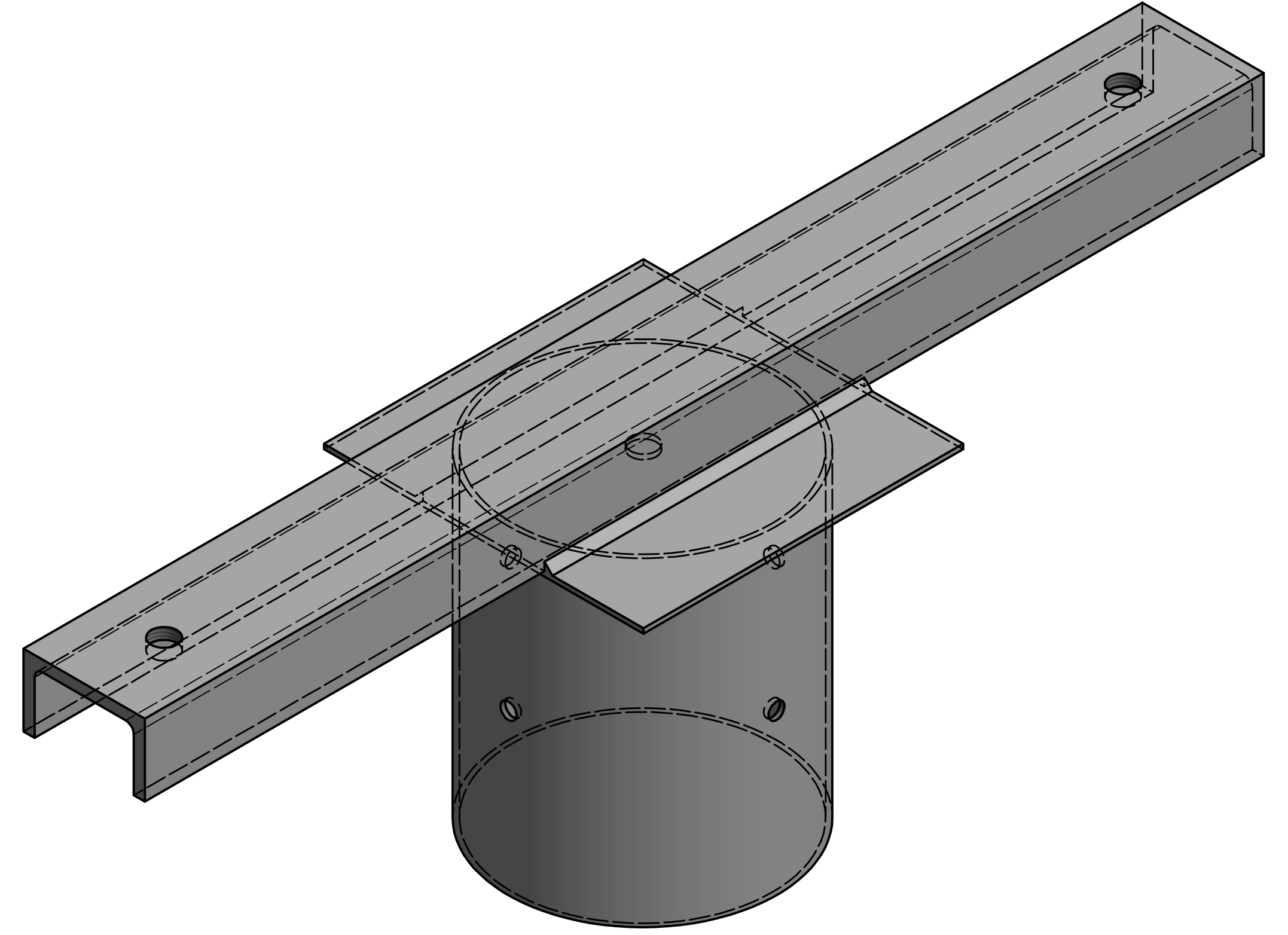


4 HOLES DRILLED AND TAPPED M10



TWO HOLES DRILLED M14



GENERAL NOTES:
ALL DIMENSIONS IN MILIMETERS
ALL BURRS AND SHARP EDGES TO BE REMOVED

BEI LIGHTING
WYNDHAM CLOSE
BRACKLA INDUSTRIAL ESTATE
BRIDGEND CF31 2AN
TEL: 01656 645414
FAX: 01656 669231
EMAIL: sales@beilighting.com
WEB: www.beilighting.com



DRAWN	Neil Carter	17/06/2016
CHECKED		
QA		
MFG		
APPROVED		
SCALE	1 / 2	

ANY BESPOKE BRACKETS ARE MADE TO ORDER AND AS SUCH ARE NON RETURNABLE		
TITLE		
TWIN GALVANISED FLOODLIGHT BRACKET TO SUIT 114MM POST TOP COLUMNS		
SIZE	DWG NO	REV
D	X2-127	
SCALE 1 / 2		SHEET 1 OF 1