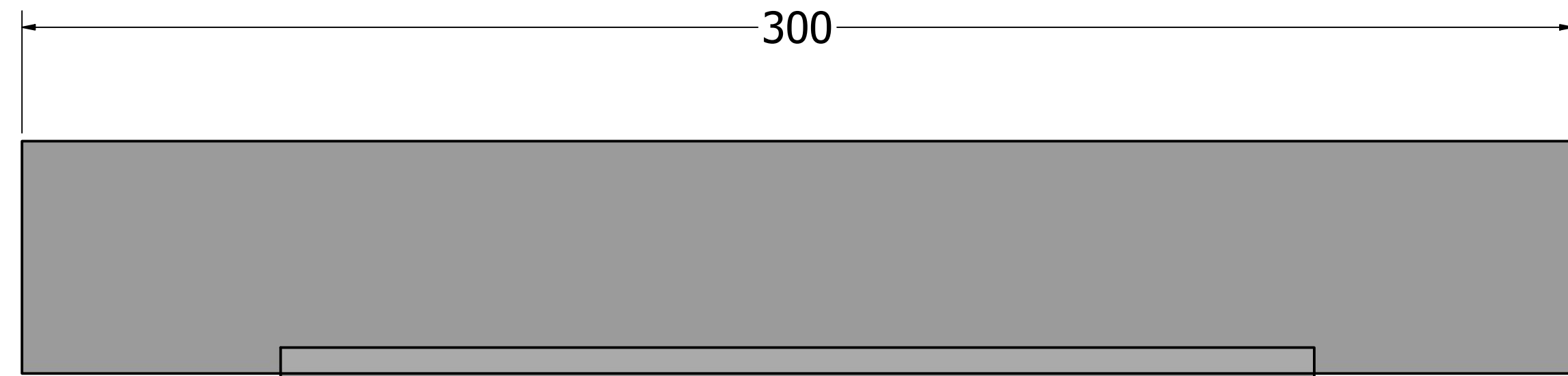


8 7 6 5 4 3 2 1

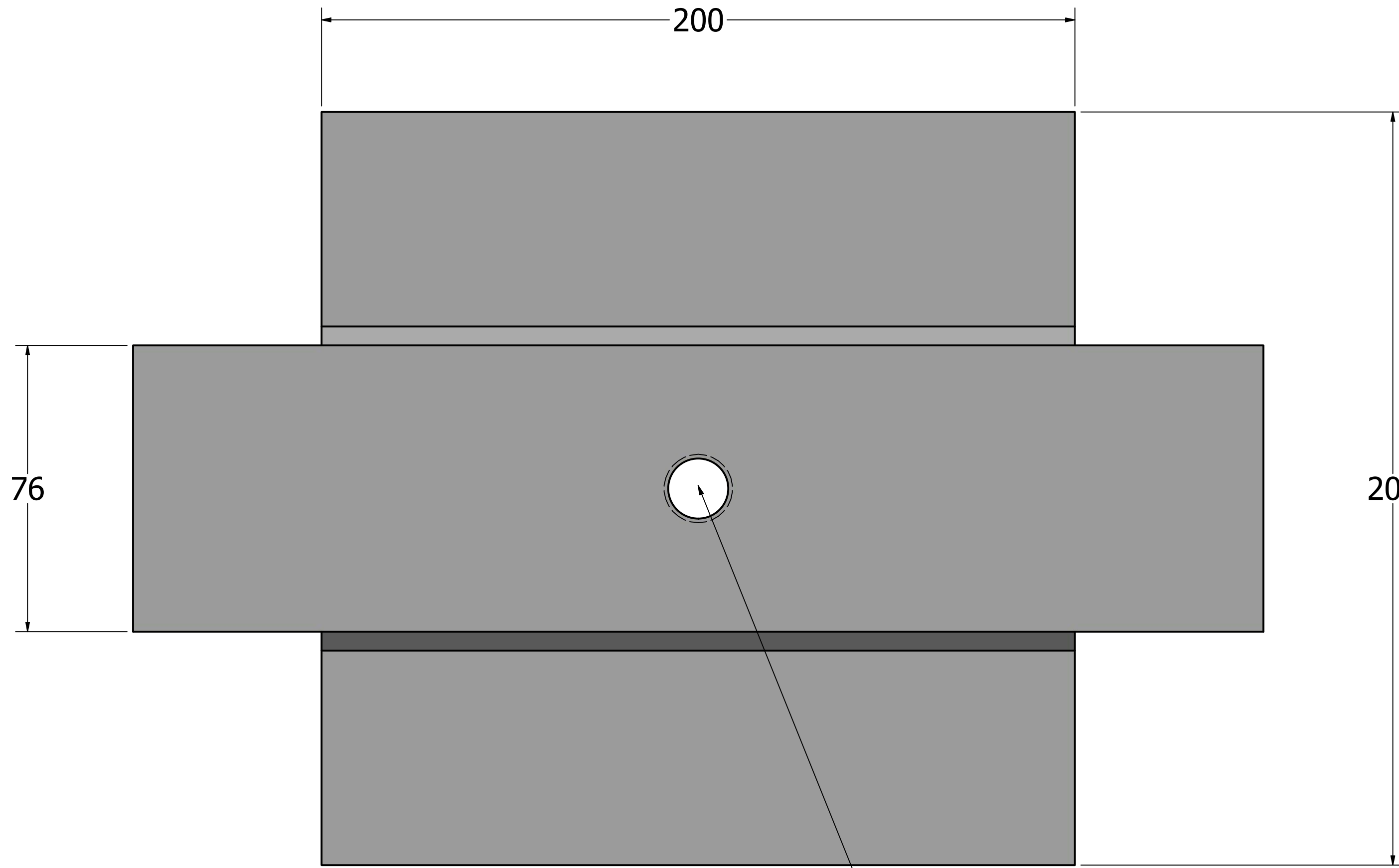


300

200

4 HOLES DRILLED AND TAPPED M10

TO SUIT COLUMN SHAFT 168 WITH INTEGRAL REDUCER OR 140MM POST TOP SPIGOTS

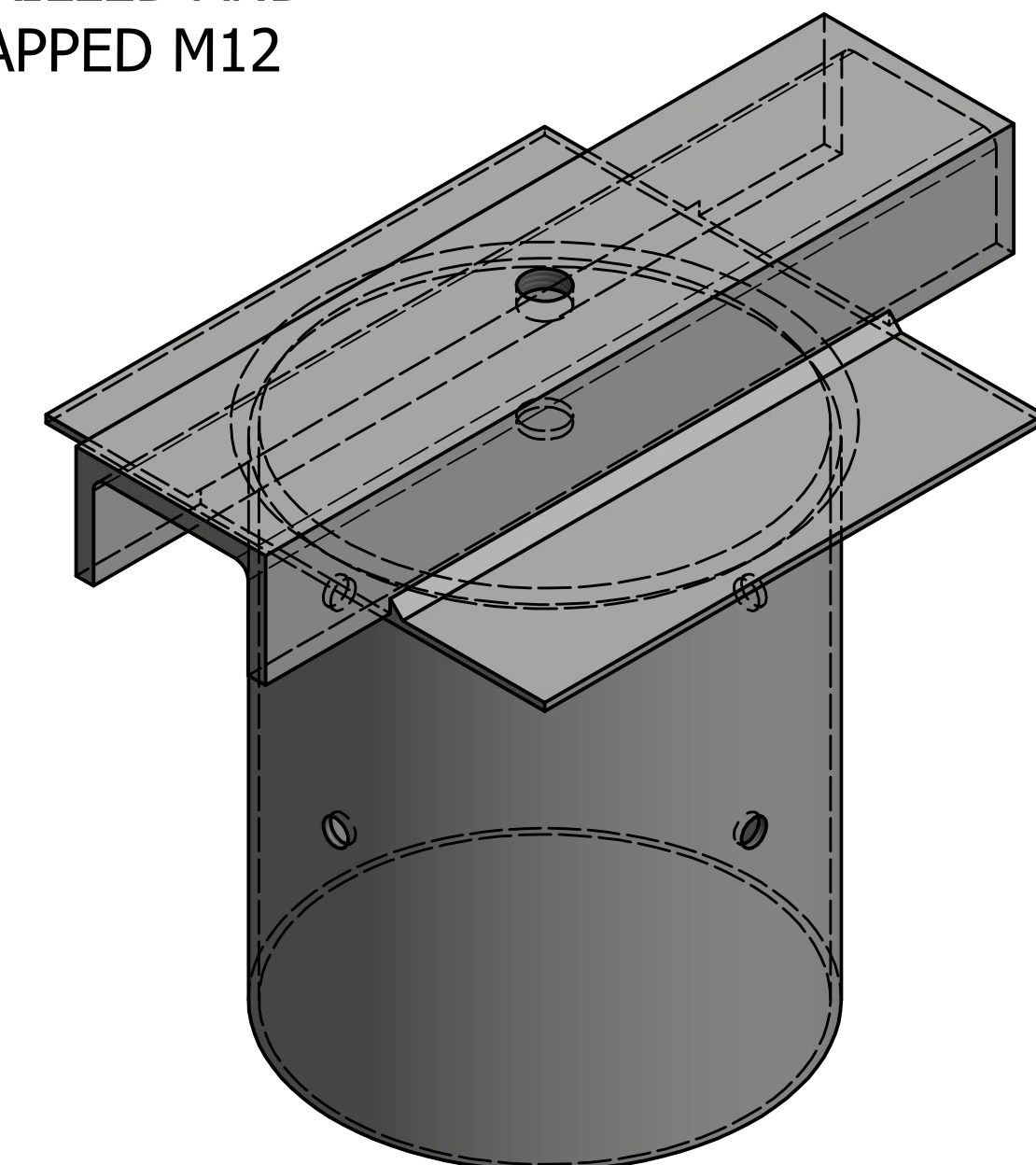


200

76

200

DRILLED AND TAPPED M12



GENERAL NOTES:
ALL DIMENSIONS IN MILIMETERS
ALL BURRS AND SHARP EDGES TO BE REMOVED

BEI LIGHTING
WYNDHAM CLOSE
BRACKLA INDUSTRIAL ESTATE
BRIDGEND CF31 2AN
TEL: 01656 645414
FAX: 01656 669231
EMAIL: sales@beilighting.com
WEB: www.beilighting.com

BEI | lighting
lighting from the ground up

DRAWN	Neil Carter	17/06/2016
CHECKED		
QA		
MFG		
APPROVED		
SCALE	1 / 1	

TITLE		
SINGLE GALVANISED FLOODLIGHT BRACKET TO SUIT COLUMN SHAFTS OF 168MM WITH INTEGRAL REDUCER OR 150MM POST TOP SPIGOTS		
SIZE	DWG NO	REV
D	X1-168	
SCALE		SHEET 1 OF 1

8 7 6 5 4 3 2 1