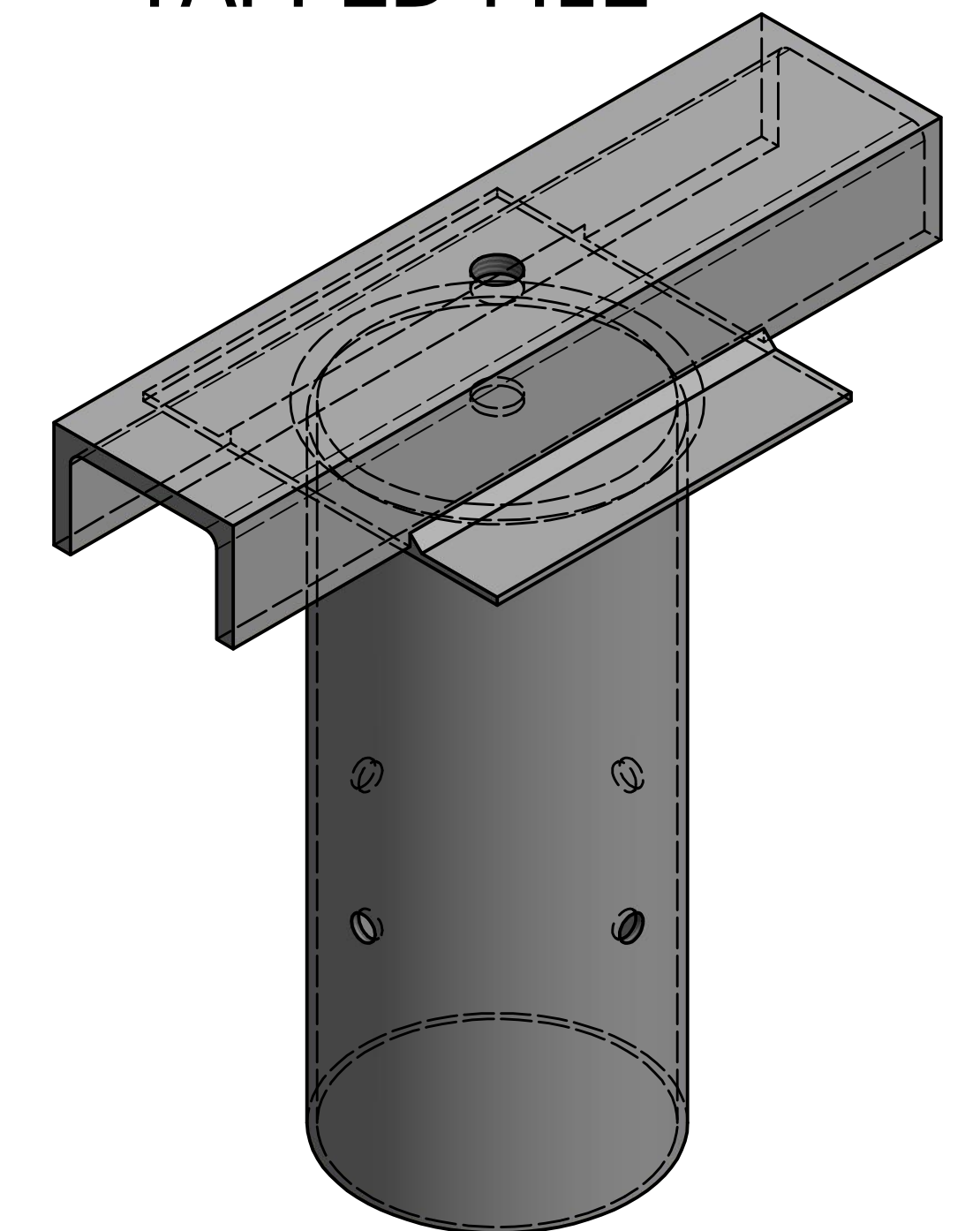
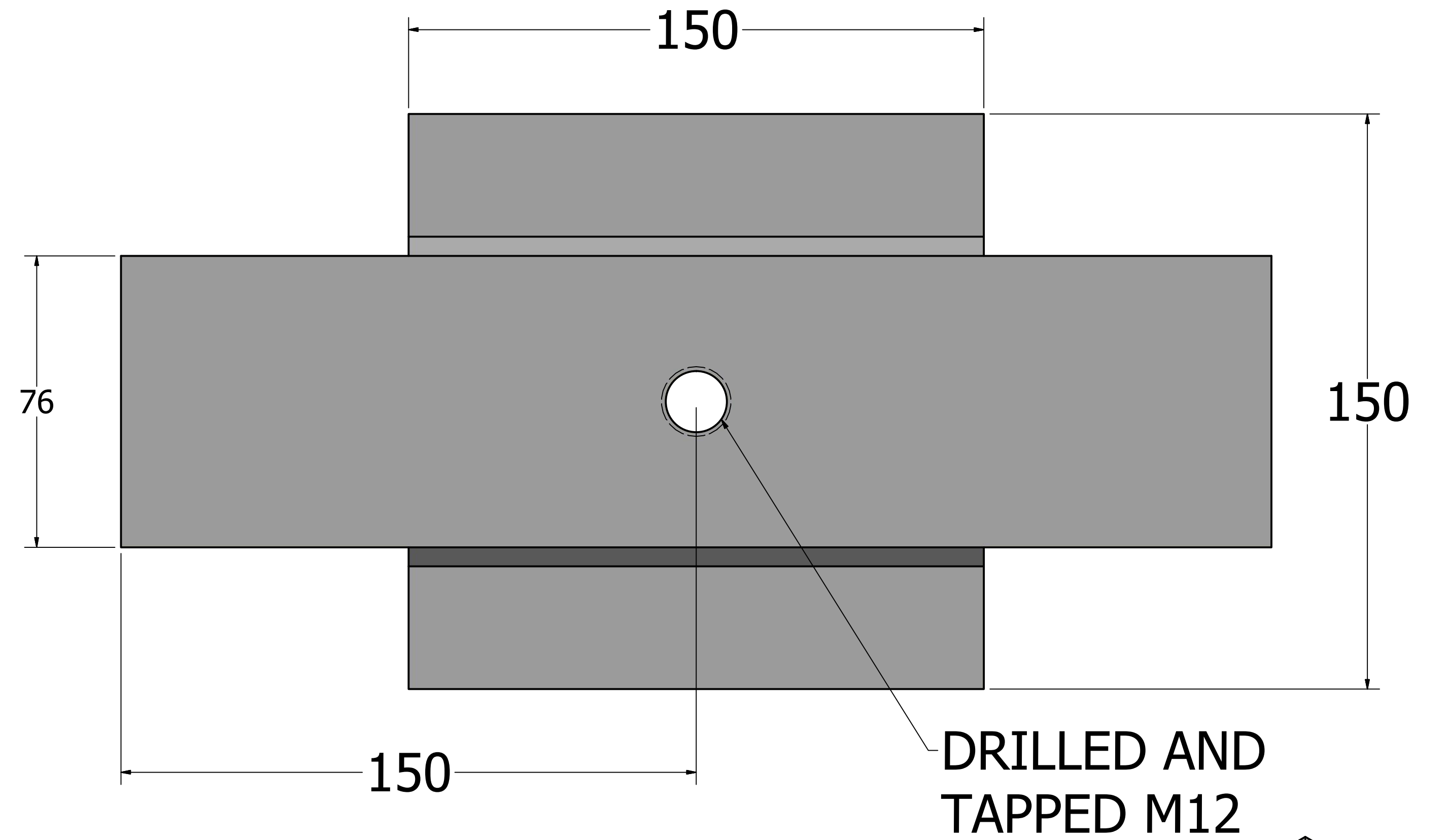
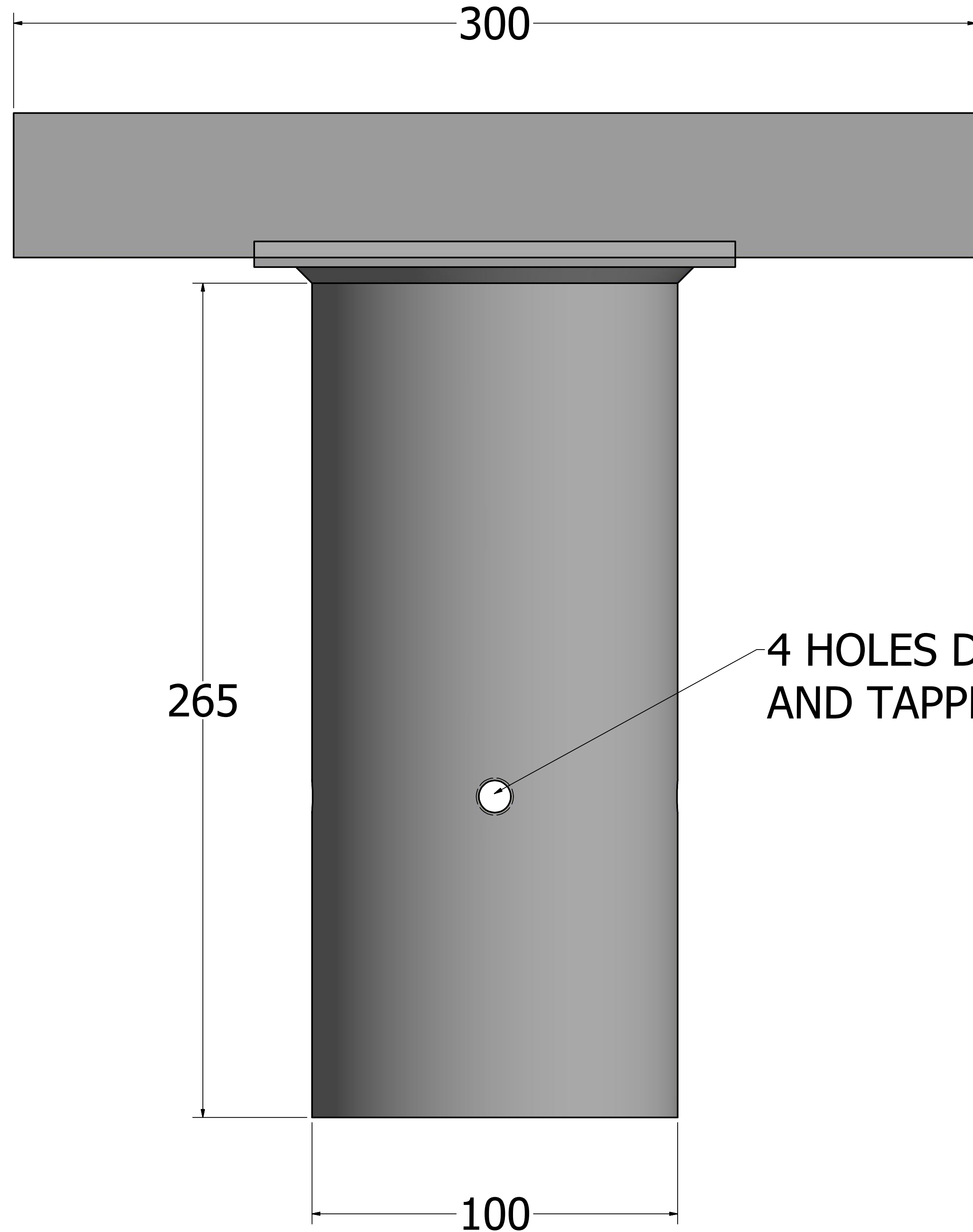


8 7 6 5 4 3 2 1



GENERAL NOTES:
ALL DIMENSIONS IN MILIMETERS
ALL BURRS AND SHARP EDGES TO BE REMOVED

BEI LIGHTING
WYNDHAM CLOSE
BRACKLA INDUSTRIAL ESTATE
BRIDGEND CF31 2AN
TEL: 01656 645414
FAX: 01656 669231
EMAIL: sales@beilighting.com
WEB: www.beilighting.com

BEI | lighting
lighting from the ground up

DRAWN Neil Carter	21/03/2018	TITLE	
CHECKED		SINGLE GALVANISED FLOODLIGHT BRACKET TO SUIT 89MM POST TOP COLUMN OR SPIGOT	
QA		SIZE	DWG NO
MFG		D	X1-100
APPROVED		SCALE	1 / 1
		SHEET 1 OF 1	

8 7 6 5 4 3 2 1