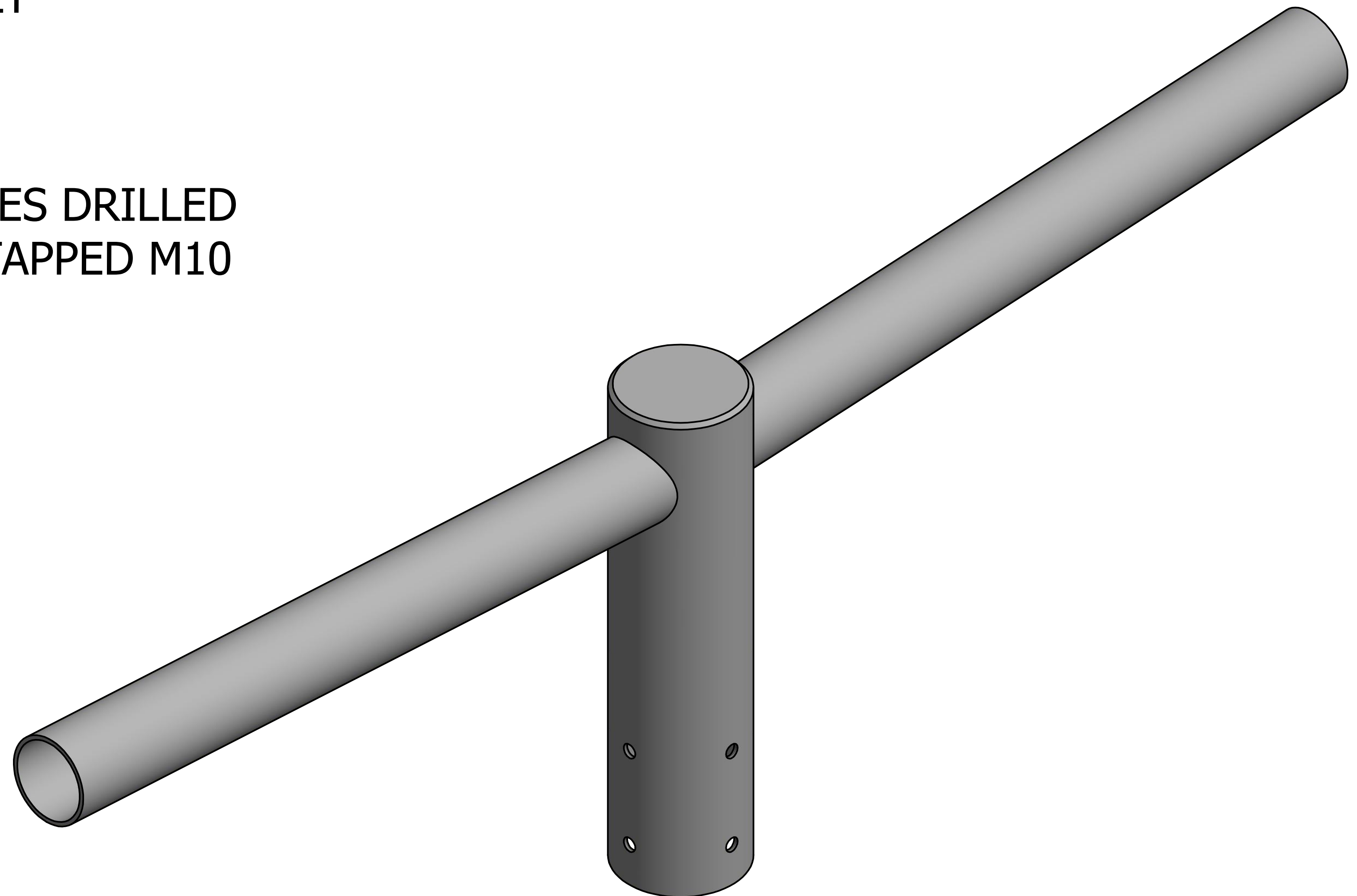
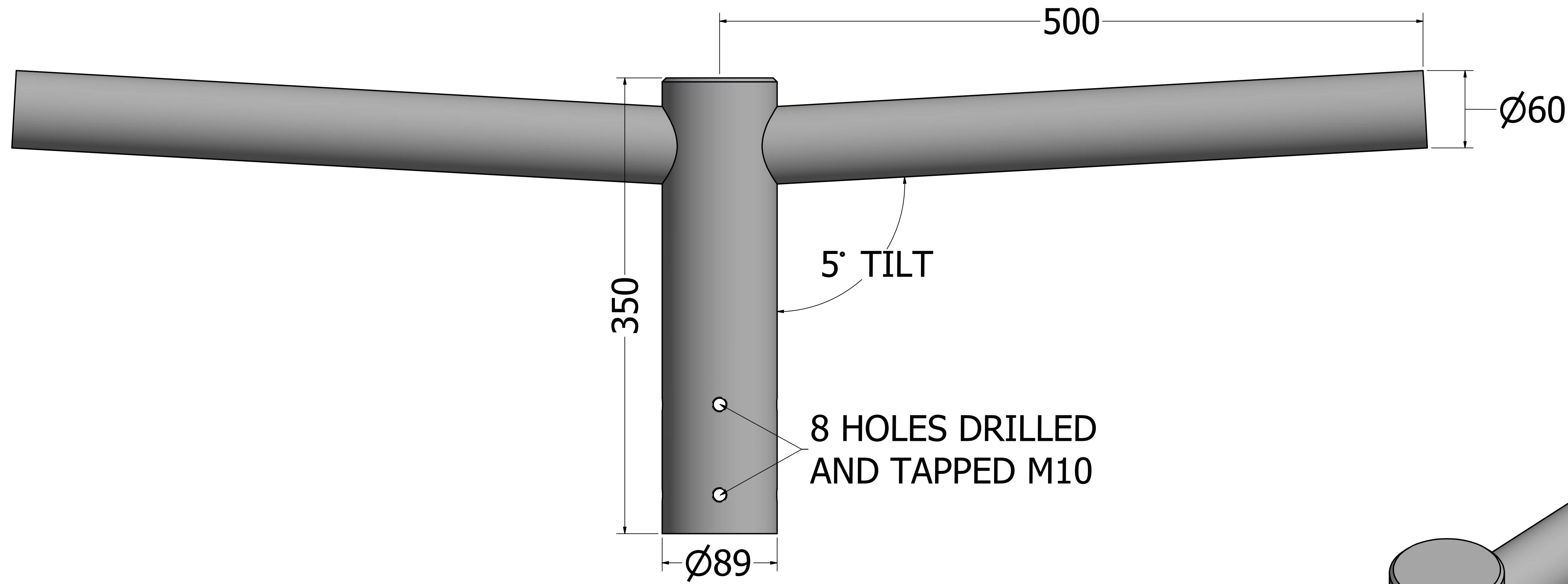


8 7 6 5 4 3 2 1



ACCEPTED BY _____

DATE ACCEPTED _____

GENERAL NOTES:
ALL DIMENSIONS IN MILLIMETERS
ALL BURRS AND SHARP EDGES TO BE REMOVED

Copyright
The user may not copy, reproduce, republish, post, broadcast, transmit, make available to the public or otherwise use any BEI Lighting or UK Electric Ltd content contained in this document in any way without our written permission.

BEI LIGHTING
WYNDHAM CLOSE
BRACKLA INDUSTRIAL ESTATE
BRIDGEND CF31 2AN
TEL: 01656 645414
FAX: 01656 669231
EMAIL: sales@beilighting.com
WEB: www.beilighting.com

BEI | lighting
lighting from the ground up

DRAWN	Neil Carter	21/03/2018
CHECKED		
QA		
MFG		
APPROVED		
SCALE	1 / 2	

ANY BESPOKE BRACKETS ARE MADE TO ORDER AND AS SUCH ARE NON RETURNABLE		
TITLE		
TWIN GALVANISED SIDE ENTRY LANTERN BRACKET 500MM PROJECTION 60MM TUBE 5DEG TILT TO SUIT 76MM POST TOP COLUMNS OR SPIGOTS		
SIZE	DWG NO	REV
D	DPT2-500-60	
SHEET 1 OF 1		

8 7 6 5 4 3 2 1